

# SALES & ENGINEERING DATA

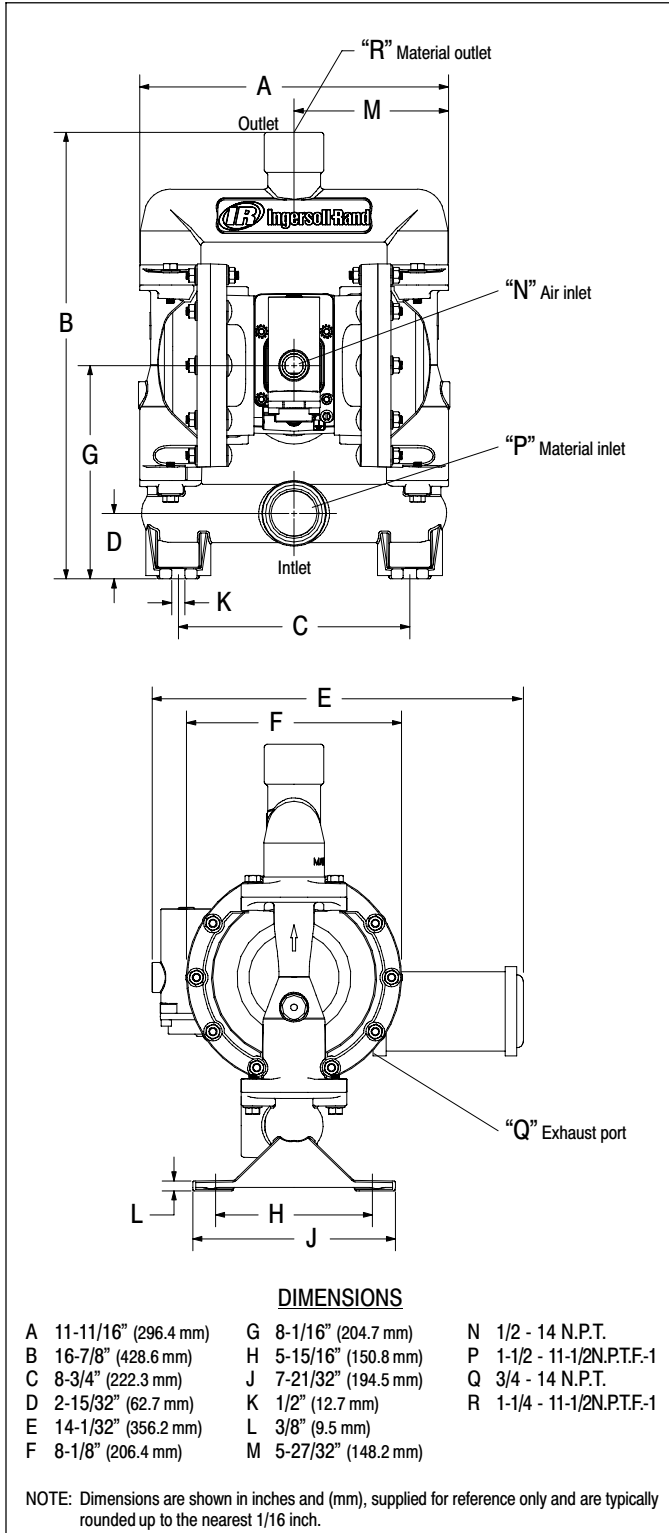
## PW10A-AAX-XXX 1" METALLIC DIAPHRAGM PUMP

RATIO SERIES: **1:1**

FLUID P.S.I. RANGE: **20 - 120**

RELEASED: 2-13-06  
REVISED: 6-10-10  
(REV. 02) S-1308

### DIMENSIONAL DATA



### SPECIFICATIONS

#### CONSTRUCTION

Model Series ..... PW10A-AAX-XXX  
 Pump Type ..... Metallic, Air Operated, Double Diaphragm  
 Ratio ..... 1:1  
 Material Inlet (female) ..... 1-1/2 - 11-1/2 N.P.T.F. - 1  
 Material Outlet (female) ..... 1-1/4 - 11-1/2 N.P.T.F. - 1  
 Air Inlet (female) ..... 1/2 - 14 N.P.T.  
 Air Exhaust (female) ..... 3/4 - 14 N.P.T.  
 Weight ..... 26.2 lbs (11.9 kgs)  
 Air Section Service Kit ..... 637397  
 Fluid Section Service Kit ..... 637401-XX

PW10A-AAX-X    
 637433 -    
 Diaphragm Material  
 Ball Material

EXAMPLE: Model # PW10A-AAP-AAA  
 Fluid Section Service Kit is 637401-AA

#### PERFORMANCE

Air Inlet Pressure Range ..... 20 - 120 p.s.i. (1.4 - 8.3 bar)  
 Maximum Material Inlet Pressure .. 10 p.s.i. (0.69 bar)  
 Fluid Pressure Range ..... 20 - 120 p.s.i. (1.4 - 8.3 bar)  
 Maximum Flow Rate ..... 60.0 g.p.m. (227.1 l.p.m.)  
 Displacement / Cycle @ 100 p.s.i. . 0.234 gal. (0.89 lit.)  
 Maximum Particle Size ..... 1/8" dia. (3.3 mm)  
 Maximum Temperature Limits (diaphragm / ball / seal material)  
 E.P.R. / EPDM ..... -60° to 280° F (-51° to 138° C)  
 Hytrel® ..... -20° to 150° F (-29° to 66° C)  
 Nitrile ..... 10° to 180° F (-12° to 82° C)  
 Santoprene® ..... -40° to 225° F (-40° to 107° C)  
 PTFE ..... 0° to 225° F (4° to 107° C)  
 Viton® ..... -40° to 350° F (-40° to 177° C)  
 Noise Level @ 70 p.s.i. - 60 c.p.m. . 80.6 db(A)<sup>①</sup>

① The pump sound pressure level has been updated to an Equivalent Continuous Sound Level (L<sub>Aeq</sub>) to meet the intent of ANSI S1. 13-1971, CAGI-PNEUROP S5.1 using four microphone locations.

#### ACCESSORIES:

66073-2 Air Line Connection Kit

**PERFORMANCE CURVES**

**PW10A-AAX-XXX 1" METALLIC DIAPHRAGM PUMP**

