

SALES & ENGINEERING DATA

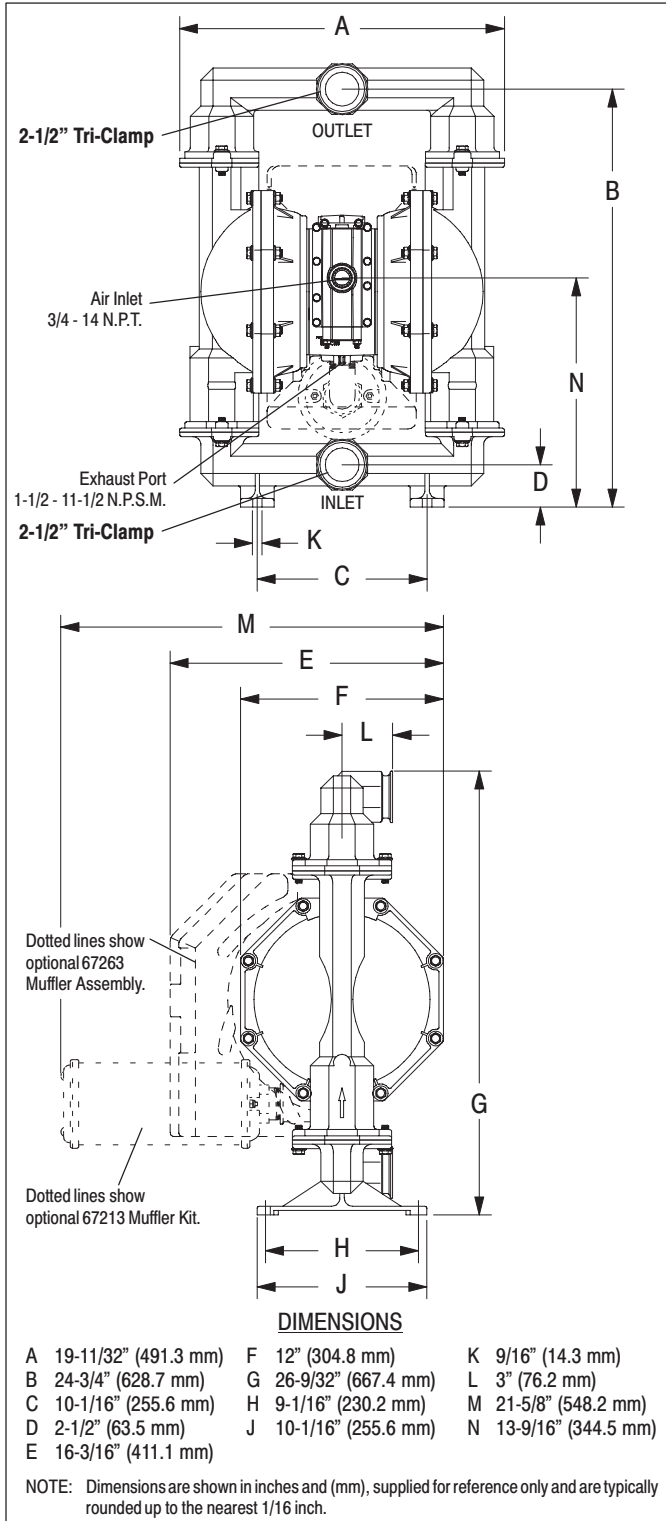
RATIO SERIES: **1:1**

FLUID P.S.I. RANGE: **20 - 120**

RELEASED: 2-8-05
 REVISED: 6-10-10
 (REV. 03) S-1345

PM20R-CSS-XXX-B02 2" METALLIC DIAPHRAGM PUMP

DIMENSIONAL DATA



SPECIFICATIONS

CONSTRUCTION

Model Series PM20R-CSS-XXX-B02
 Pump Type Metallic, Air Operated, Double Diaphragm
 Ratio 1:1
 Material Inlet / Outlet 2-1/2" Tri-Clamp
 Air Inlet (female) 3/4 - 14 N.P.T.
 Air Exhaust (female) 1-1/2 - 11-1/2 N.P.S.M.
 Weight 157.4 lbs (71.4 kgs)
 Air Section Service Kit 637369
 Fluid Section Service Kit 637309-XX

PM20R-CSS-X -B02

637309 -

Diaphragm Material
 Ball Material

EXAMPLE: Model # PD20R-CSS-SAA-B02
 Fluid Section Service Kit is 637309-AA

PERFORMANCE

Air Inlet Pressure Range 20 - 120 p.s.i. (1.4 - 8.3 bar)
 Maximum Material Inlet Pressure ... 10 p.s.i. (0.69 bar)
 Fluid Pressure Range 20 - 120 p.s.i. (1.4 - 8.3 bar)
 Maximum Flow Rate 172 g.p.m. (651 l.p.m.)
 Displacement / Cycle @ 100 p.s.i. . . 1.4 gal. (5.3 lit.)
 Maximum Particle Size 1/4" dia. (6.4 mm)
 Maximum Temperature Limits (diaphragm / ball / seal material)
 E.P.R. / EPDM -60° to 280° F (-51° to 138° C)
 Nitrile 10° to 180° F (-12° to 82° C)
 Polypropylene 35° to 150° F (2° to 66° C)
 Santoprene -40° to 225° F (-40° to 107° C)
 PTFE 40° to 225° F (4° to 107° C)
 Noise Level @ 70 p.s.i. - 60 c.p.m.① . 85.0 db(A)②

① Tested with 67263 muffler assembly installed.

② The pump sound pressure level has been updated to an Equivalent Continuous Sound Level (L_{Aeq}) to meet the intent of ANSI S1. 13-1971, CAGI-PNEUROP S5.1 using four microphone locations.

ACCESSORIES:

66312 Air Line Connection Kit
 67213 Muffler Kit
 67263 Continuous Muffler
 94117 Int. Muffler

PERFORMANCE CURVES

PM20R-CSS-XXX-B02 2" METALLIC DIAPHRAGM PUMP

