

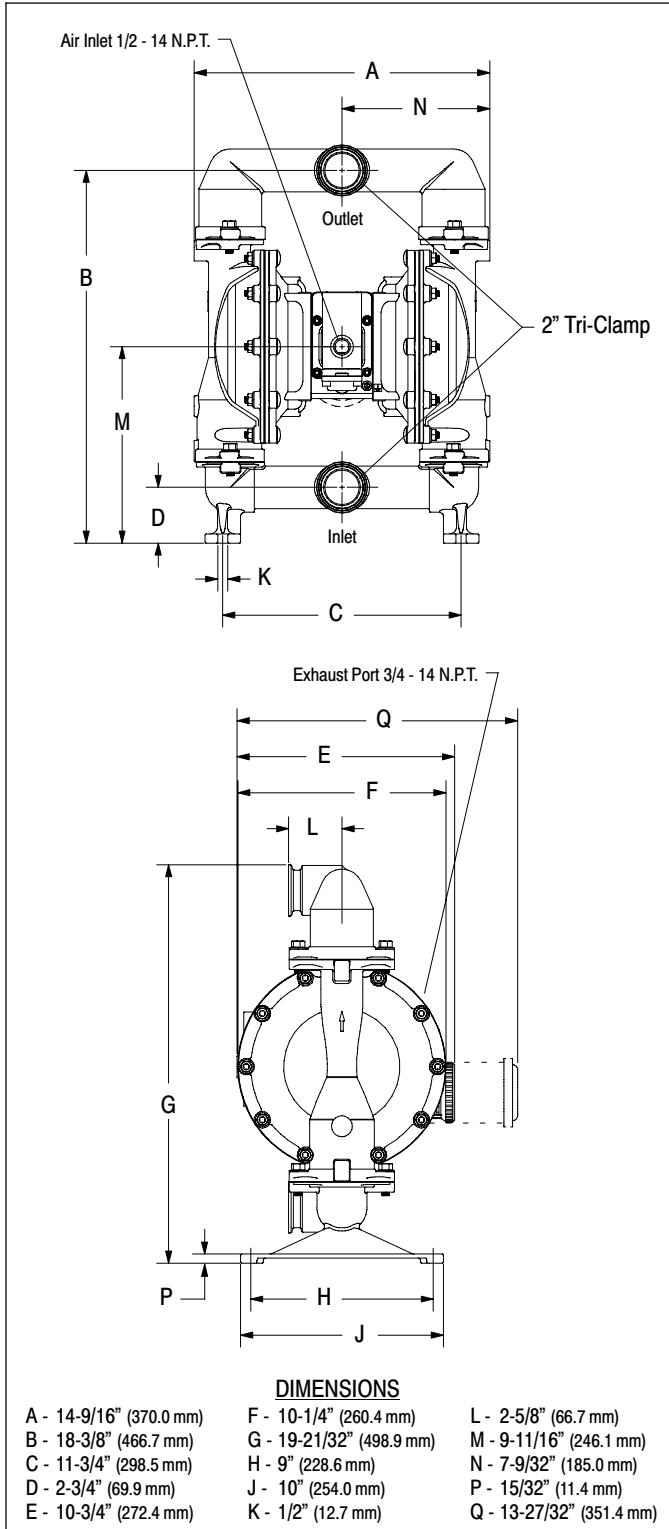
SALES & ENGINEERING DATA

RATIO SERIES:	1:1
FLUID P.S.I. RANGE:	20 - 120

RELEASED:	1-7-04
REVISED:	6-10-10
(REV. 05)	S-1287

PM15X-CSS-XXX-A02 1-1/2" METALLIC DIAPHRAGM PUMP

DIMENSIONAL DATA



SPECIFICATIONS

CONSTRUCTION

Model Series	PM15X-CSS-XXX-A02
Pump Type	Metallic, Air Operated, Double Diaphragm
Ratio	1:1
Material Inlet / Outlet	2" Tri-Clamp
Air Inlet (female)	1/2 - 14 N.P.T.
Air Exhaust (female)	3/4 - 14 N.P.T.
Weight	PM15A-CSS-XXX-A02 ... 62.40 lbs (28.30 kgs) PM15R-CSS-XXX-A02 ... 60.26 lbs (27.33 kgs) PM15S-CSS-XXX-A02 ... 78.40 lbs (35.56 kgs)
Air Section Service Kit	637389
Major Air Valve Assembly Kit	637390-X
Fluid Section Service Kit	637375-XX

PM15X-CSS-X -A02
637375 -

Diaphragm Material
Ball Material

EXAMPLE: Model # PM15S-CSS-SAA-A02
Fluid Section Service Kit is 637375-AA

PERFORMANCE

Air Inlet Pressure Range	20 - 120 p.s.i. (1.4 - 8.3 bar)
Maximum Material Inlet Pressure	10 p.s.i. (0.69 bar)
Fluid Pressure Range	20 - 120 p.s.i. (1.4 - 8.3 bar)
Maximum Flow Rate (flooded inlet)	123 g.p.m. (465.6 l.p.m.)
Displacement / Cycle @ 100 p.s.i.	0.617 gal. (2.34 lit.)
Maximum Particle Size	1/4" dia. (6.4 mm)
Maximum Temperature Limits (diaphragm / ball / seal material)	
E.P.R. / EPDM	-60° to 280° F (-51° to 138° C)
Polypropylene	35° to 150° F (2° to 66° C)
Santoprene	-40° to 225° F (-40° to 107° C)
PTFE	40° to 225° F (4° to 107° C)
Noise Level @ 70 p.s.i. - 60 c.p.m.	85.0 db(A) ^①

① The pump sound pressure level has been updated to an Equivalent Continuous Sound Level (L_{Aeq}) to meet the intent of ANSI S1. 13-1971, CAGI-PNEUROPS S5.1 using four microphone locations.

PERFORMANCE CURVES

PM15X-CSS-XXX-A02 1-1/2" METALLIC DIAPHRAGM PUMP

