

SALES & ENGINEERING DATA

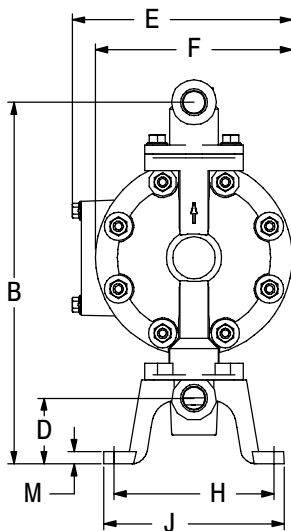
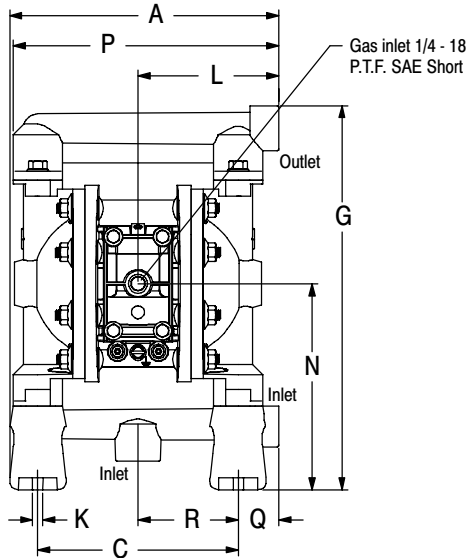
RATIO SERIES:	1:1
FLUID P.S.I. RANGE:	10 - 100

PG05A-AAS-FXX-B

1/2" METALLIC DIAPHRAGM PUMP

RELEASED: 7-5-07
 REVISED:
 (REV. 01) S-1412

DIMENSIONAL DATA



DIMENSIONS

A 8-7/32" (208.5 mm)	G 11-3/4" (297.9 mm)	N 6-5/16" (159.9 mm)
B 11-1/16" (280.4 mm)	H 4-7/8" (123.8 mm)	P 8-1/8" (206.0 mm)
C 6-1/8" (155.5 mm)	J 5-1/2" (139.6 mm)	Q 1-1/4" (31.6 mm)
D 2" (50.8 mm)	K 5/16" (7.9 mm)	R 3-1/16" (77.7 mm)
E 6-11/16" (170.6 mm)	L 4-5/16" (109.3 mm)	
F 6" (152.4 mm)	M 3/8" (9.5 mm)	

NOTE: Dimensions are shown in inches and (mm) and are supplied for reference only.

SPECIFICATIONS

CONSTRUCTION

Model Series	PG05A-AAS-FXX-B
Pump Type	Metallic, Gas Operated, Double Diaphragm
Ratio	1:1
Material Inlet / Outlet (female)	1/2 - 14 N.P.T.F. - 1
Gas Inlet (female)	1/4 - 18 P.T.F. SAE short
Gas Exhaust (female)	3/8 - 18 N.P.T.F. - 1
Weight	10.36 lbs (4.70 kgs)
Gas Section Service Kit	637428
Fluid Section Service Kit	637427-XX

PG05A-AAS-F X X -B
637427 - X X

Diaphragm Material
Ball Material

EXAMPLE: Model #PG05A-AAS-FCC-B
 Fluid Section Service Kit is 637427-CC

PERFORMANCE

Gas Inlet Pressure Range	10 - 100 p.s.i. (0.69 - 6.9 bar)
Maximum Material Inlet Pressure	10 p.s.i. (0.69 bar)
Fluid Outlet Pressure Range	10 - 100 p.s.i. (0.69 - 6.9 bar)
Maximum Flow Rate (flooded inlet)	12.0 g.p.m. (45.4 l.p.m.)
Displacement / Cycle @ 100 p.s.i.	0.039 gal. (0.15 lit.)
Maximum Particle Size	3/32" dia. (2.4 mm)
Maximum Temperature Limits	32° to 125° F (0° to 52° C)
Noise Level @ 70 p.s.i. - 60 c.p.m.	75.0 db(A) ^①

Notes:

① The pump sound pressure level has been updated to an Equivalent Continuous Sound Level (L_{Aeq}) to meet the intent of ANSI S1. 13-1971, CAGI-PNEUROP S5.1 using four microphone locations.

ACCESSORIES:

66073-1 Air Line Connection Kit

PERFORMANCE CURVES

PG05A-AAS-FXX-B 1/2" METALLIC DIAPHRAGM PUMP

