

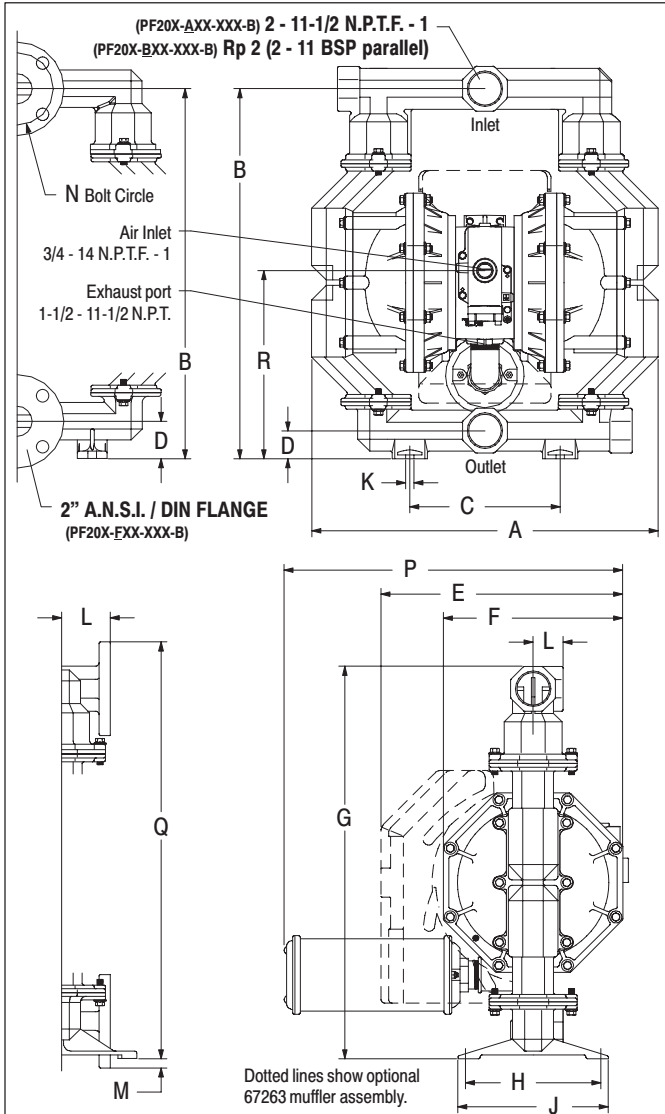
SALES & ENGINEERING DATA

PF20A-XXX-SXX-B & PF20S-XXX-SXX-B 2" METALLIC FLAP VALVE DIAPHRAGM PUMP

RATIO SERIES:	1:1
FLUID P.S.I. RANGE:	20 - 120

RELEASED: 2-10-05
REvised: 6-10-10
(REV. 03) S-1342

DIMENSIONAL DATA



DIMENSIONS

A 23-3/16" (588.8 mm)	G 26-1/4" (666.8 mm)	M 5/8" (15.9 mm)
B 24-3/4" (628.7 mm)	H 9-1/16" (230.2 mm)	N 4.834" (122.8 mm)
C 10-1/16" (255.6 mm)	J 10-1/16" (255.6 mm)	P 21-5/8" (548 mm)
D see below	K 9/16" (14.3 mm)	Q 27-7/8" (708.0 mm)
E 16-3/16" (411.2 mm)	L see below	R see below
F 12" (304.8 mm)		

	"D"	"L"	"R"
PD20X-XAX-SXX-B	1-7/8" (47.6 mm)	2" (50.8 mm)	12-19/32" (319.9 mm)
PD20X-XCX-SXX-B	1-7/8" (47.6 mm)	2" (50.8 mm)	12-19/32" (319.9 mm)
PD20X-ASX-SXX-B	2-1/2" (63.5 mm)	2-3/32" (53.0 mm)	13-1/4" (336.6 mm)
PD20X-BSX-SXX-B	2-1/2" (63.5 mm)	2-3/32" (53.0 mm)	13-1/4" (336.6 mm)
PD20X-FSX-SXX-B	2-1/2" (63.5 mm)	3-1/4" (82.6 mm)	13-1/4" (336.6 mm)

NOTE: Dimensions are shown in inches and (mm), supplied for reference only and are typically rounded up to the nearest 1/16 inch.

SPECIFICATIONS

CONSTRUCTION

Model Series	PF20A-XXX-SXX-B
	PF20S-XXX-SXX-B
Pump Type	Metallic, Air Operated, Flap Valve, Double Diaphragm
Ratio	1:1
Material Inlet / Outlet (female)	
PF20X- AXX -SXX-B	2 - 11-1/2 N.P.T.F. - 1
PF20X- BXX -SXX-B	Rp 2 (2 - 11 BSP parallel)
PF20X-FXX-SXX-B	2" A.N.S.I. / DIN Flange
Air Inlet (female)	3/4 - 14 N.P.T.F. - 1
Air Exhaust (female)	1-1/2 - 11-1/2 N.P.T.
Weight	
PF20A-XAX-SXX-B	97.3 lbs (44.2 kgs)
PF20A-XCX-SXX-B	166.2 lbs (75.4 kgs)
PF20A-ASX-SXX-B	166.0 (75.3 kgs)
PF20A-BSX-SXX-B	166.0 (75.3 kgs)
PF20A-FSX-SXX-B	177.1 (80.3 kgs)
	(add 28.9 lbs [13.1 kgs] for Stainless steel air motor section)
Air Section Service Kit	637421
Fluid Section Service Kit	637310-XX
Major Air Valve Assembly	637374-X

PF20X-XXX-S -B

637310 -

Diaphragm Material
Flap Material

EXAMPLE: Model # PF20A-AAP-SAA-B
Fluid Section Service Kit is 637310-AA

PERFORMANCE

Air Inlet Pressure Range	20 - 120 p.s.i. (1.4 - 8.3 bar)
Maximum Material Inlet Pressure	10 p.s.i. (0.69 bar)
Fluid Pressure Range	20 - 120 p.s.i. (1.4 - 8.3 bar)
Maximum Flow Rate	172 g.p.m. (651 l.p.m.)
Maximum Particle Size	2" dia. (50 mm) semi-solids
Maximum Temperature Limits (diaphragm / ball / seal material)	
E.P.R. / EPDM	-60° to 280° F (-51° to 138° C)
Nitrile	10° to 180° F (-12° to 82° C)
Polyurethane	10° to 150° F (-12° to 66° C)
Santoprene®	-40° to 225° F (-40° to 107° C)
PTFE	40° to 225° F (4° to 107° C)
Viton®	-40° to 350° F (-40° to 177° C)
Displacement / Cycle @ 100 p.s.i.	1.4 gal. (5.3 lit.)
Noise Level @ 70 p.s.i. - 60 c.p.m.①	85.0 db(A)②

① Tested with 67263 muffler assembly installed.

② The pump sound pressure level has been updated to an Equivalent Continuous Sound Level (L_{Aeq}) to meet the intent of ANSI S1. 13-1971, CAGI-PNEUROP S5.1 using four microphone locations.

ACCESSORIES:

66312 Air Line Connection Kit
67263 Continuous Muffler Assembly
94117 Int. Muffler

PERFORMANCE CURVES

PF20A-XXX-XXX-B / PF20S-XXX-XXX-B 2" METALLIC FLAP VALVE DIAPHRAGM PUMP

