

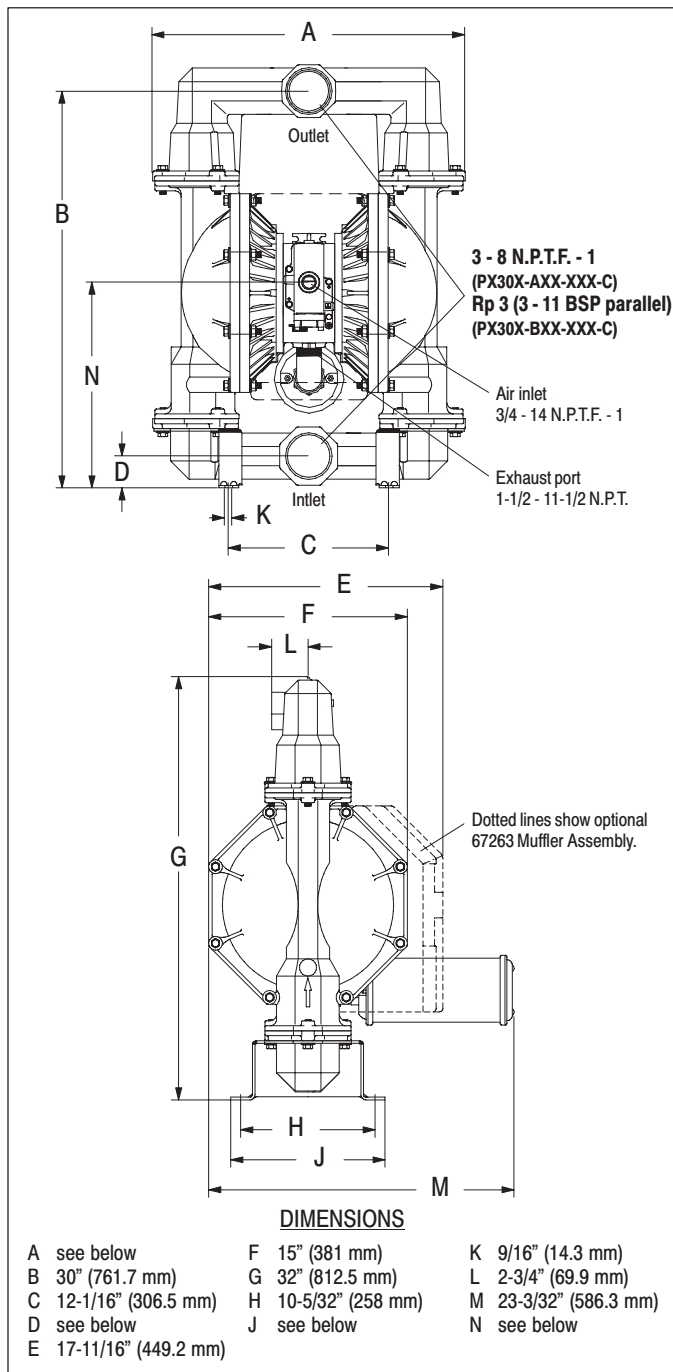
SALES & ENGINEERING DATA

PD30A-XXX-XXX-C and PD30S-XXX-XXX-C PE30A-XXX-XXX-C and PE30S-XXX-XXX-C 3" METALLIC DIAPHRAGM PUMP

RATIO SERIES:	1:1
FLUID P.S.I. RANGE:	20 - 120

RELEASED: 2-9-05
REVISED: 5-27-05
(REV. 03) S-1340

DIMENSIONAL DATA



SPECIFICATIONS

CONSTRUCTION

Model Series	PX30A-XXX-XXX-C PX30S-XXX-XXX-C
Pump Type	Metallic, Air Operated, Double Diaphragm
Ratio	1:1
Material Inlet / Outlet (female)	
PX30X-AXX-XXX-C	3 - 8 N.P.T.F. - 1
PX30X-BXX-XXX-C	Rp 3 (3 - 11 BSP parallel)
Air Inlet (female)	3/4 - 14 N.P.T.F. - 1
Air Exhaust (female)	1-1/2 - 11-1/2 N.P.T.
Weight	
PX30A-XAX-XXX-C	129.5 lbs (58.8 kgs)
PX30A-XCX-XXX-C	216.6 lbs (98.2 kgs)
PX30A-XHX-XXX-C	249.8 lbs (113.3 kgs)
PX30A-XSX-XXX-C	228.8 lbs (103.8 kgs)
	[add 40.0 lbs (18.2 kgs) for Stainless steel air motor section]
Air Section Service Kit	637421
Fluid Section Service Kit	637303-XX

PX30X-XXX-X X X-C
637303-X X X

Diaphragm Material
Ball Material

EXAMPLE: Model #PD30A-ACS-SVT-C
Fluid Section Service Kit is 637303-VT

PERFORMANCE

Air Inlet Pressure Range	20 - 120 p.s.i. (1.4 - 8.3 bar)
Maximum Material Inlet Pressure	10 p.s.i. (0.69 bar)
Fluid Outlet Pressure Range	20 - 120 p.s.i. (1.4 - 8.3 bar)
Maximum Flow Rate	237 g.p.m. (897 l.p.m.)
flooded inlet	275 g.p.m. (1,041 l.p.m.)
Maximum Particle Size	3/8" dia. (9.5 mm)
Maximum Temperature Limits (diaphragm / ball / seal material)	
E.P.R. / EPDM	-60° to 280° F (-51° to 138° C)
Hytrel	-20° to 150° F (-29° to 66° C)
Nitrile	10° to 180° F (-12° to 82° C)
PVDF (Kynar)	10° to 200° F (-12° to 93° C)
Santoprene	-40° to 225° F (-40° to 107° C)
T.F.E. (Teflon)	40° to 225° F (4° to 107° C)
Viton	-40° to 350° F (-40° to 177° C)
Displacement / Cycle @ 100 p.s.i.	2.8 gal. (10.6 lit.)
Noise Level @ 70 p.s.i. - 50 c.p.m.①	83.0 db(A)②

① Tested with 67263 muffler assembly installed.
② The pump sound pressure level has been updated to an Equivalent Continuous Sound Level (L_{Aeq}) to meet the intent of ANSI S1.13-1971, CAGI-PNEUROP S5.1 using four microphone locations.

ACCESSORIES:
66109 Air line Connection Kit
67263 Continuous Muffler
94117 Int. Muffler

	"A"	"D"	"J"	"N"	
PX30X-XAX-XXX-C	23-5/8" (598.7 mm)	2-3/8" (60.3 mm)	11" (279.4 mm)	15-1/2" (393.7 mm)	NOTE: Dimensions are shown in inches and (mm), supplied for reference only and are typically rounded up to the nearest 1/16 inch.
PX30X-XCX-XXX-C	23-5/8" (598.7 mm)	2-7/16" (61.1 mm)	11-11/16" (296.1 mm)	15-1/2" (393.7 mm)	
PX30X-XHX-XXX-C	23-1/8" (587.3 mm)	2-3/4" (69.9 mm)	11-11/16" (296.1 mm)	16" (406.4 mm)	
PX30X-XSX-XXX-C	23-1/8" (587.3 mm)	2-3/4" (69.9 mm)	11-11/16" (296.1 mm)	16" (406.4 mm)	

PERFORMANCE CURVES

PX30A-XXX-XXX-C / PX30S-XXX-XXX-C 3" METALLIC DIAPHRAGM PUMP

