

# SALES & ENGINEERING DATA

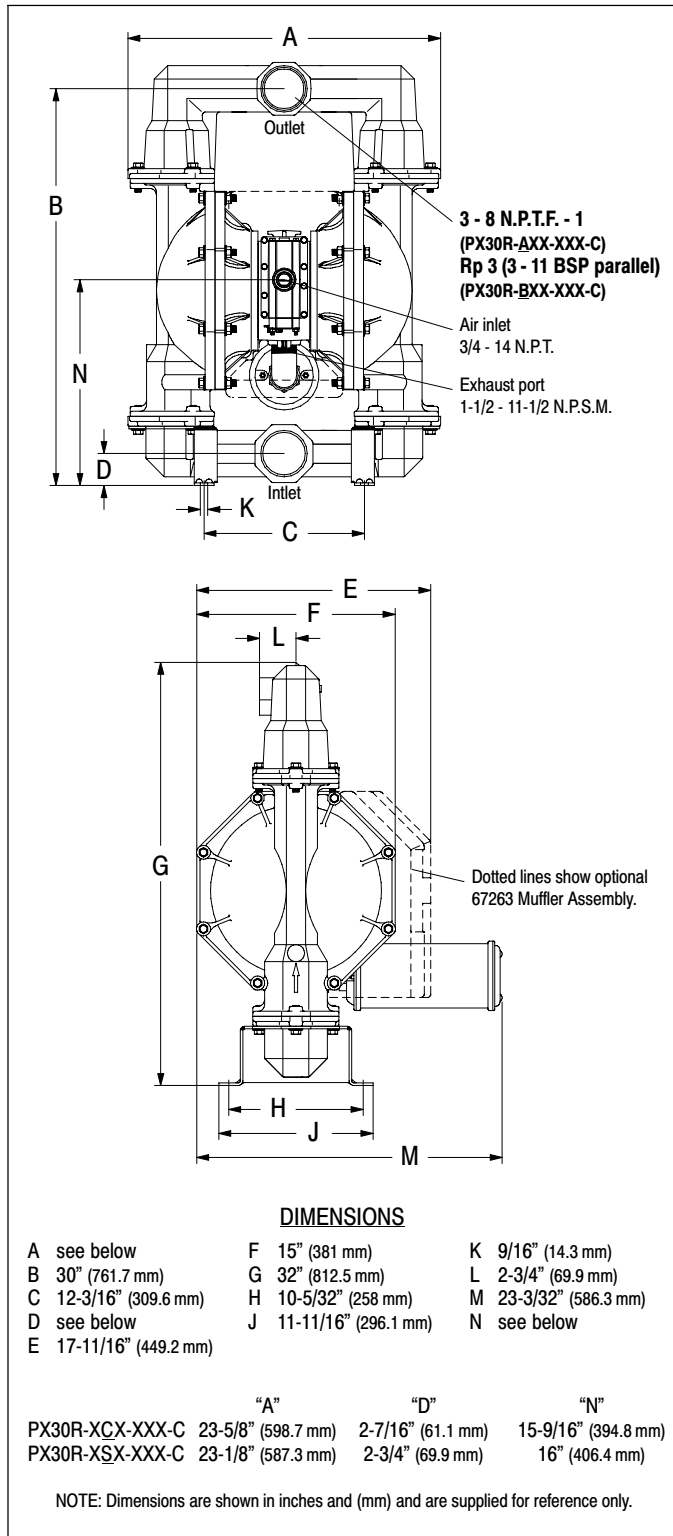
## PD30R-XXX-XXX-C and PE30R-XXX-XXX-C

### 3" METALLIC DIAPHRAGM PUMP

RATIO SERIES:	<b>1:1</b>
FLUID P.S.I. RANGE:	<b>20 - 120</b>

RELEASED: 2-4-05  
 REVISED: 3-2-07  
 (REV. 04) S-1341

#### DIMENSIONAL DATA



#### SPECIFICATIONS

##### CONSTRUCTION

Model Series	PD30R-XXX-XXX-C PE30R-XXX-XXX-C
Pump Type	Metallic, Air Operated, Double Diaphragm
Ratio	1:1
Material Inlet / Outlet (female)	
PX30R- <u>A</u> XX-XXX-C	3 - 8 N.P.T.F. - 1
PX30R- <u>B</u> XX-XXX-C	Rp 3 (3 - 11 BSP parallel)
Air Inlet (female)	3/4 - 14 N.P.T.
Air Exhaust (female)	1-1/2 - 11-1/2 N.P.S.M.
Weight	PX30R-XCX-XXX-C ... 242.3 lbs (109.9 kgs) PX30R-XSX-XXX-C ... 253.3 lbs (114.9 kgs)
Air Section Service Kit	637369
Fluid Section Service Kit	637303-XX

PX30R-XXX- X   -C  
 637303 -

Diaphragm Material  
 Ball Material

EXAMPLE: Model #PD30R-ASS-SAA-C  
 Fluid Section Service Kit is 637303-AA

##### PERFORMANCE

Air Inlet Pressure Range	20 - 120 p.s.i. (1.4 - 8.3 bar)
Maximum Material Inlet Pressure	10 p.s.i. (0.69 bar)
Fluid Outlet Pressure Range	20 - 120 p.s.i. (1.4 - 8.3 bar)
Maximum Flow Rate	237 g.p.m. (897 l.p.m.)
flooded inlet	275 g.p.m. (1,041 l.p.m.)
Maximum Particle Size	3/8" dia. (9.5 mm)
Maximum Temperature Limits (diaphragm / ball / seat material)	
E.P.R. / EPDM	-60° to 280° F (-51° to 138° C)
Hytrel	-20° to 150° F (-29° to 66° C)
Kynar PVDF	10° to 200° F (-12° to 93° C)
Nitrile	10° to 180° F (-12° to 82° C)
Polypropylene	35° to 150° F (2° to 66° C)
Santoprene	-40° to 225° F (-40° to 107° C)
Teflon P.T.F.E.	40° to 225° F (4° to 107° C)
Viton	-40° to 350° F (-40° to 177° C)
Displacement / Cycle @ 100 p.s.i.	2.8 gal. (10.6 lit.)
Noise Level @ 70 p.s.i. - 50 c.p.m.①	83.0 db(A)②

##### Notes:

- ① Tested with 67263 muffer assembly installed.
- ② The pump sound pressure level has been updated to an Equivalent Continuous Sound Level (L<sub>Aeq</sub>) to meet the intent of ANSI S1. 13-1971, CAGI-PNEUROP S5.1 using four microphone locations.

##### ACCESSORIES:

- 66109 Air Line Connection Kit
- 67263 Continuous Muffer
- 94117 Int. Muffer

**PERFORMANCE CURVES**

**PD30R-XXX-XXX-C / PE30R-XXX-XXX-C 3" METALLIC DIAPHRAGM PUMP**

