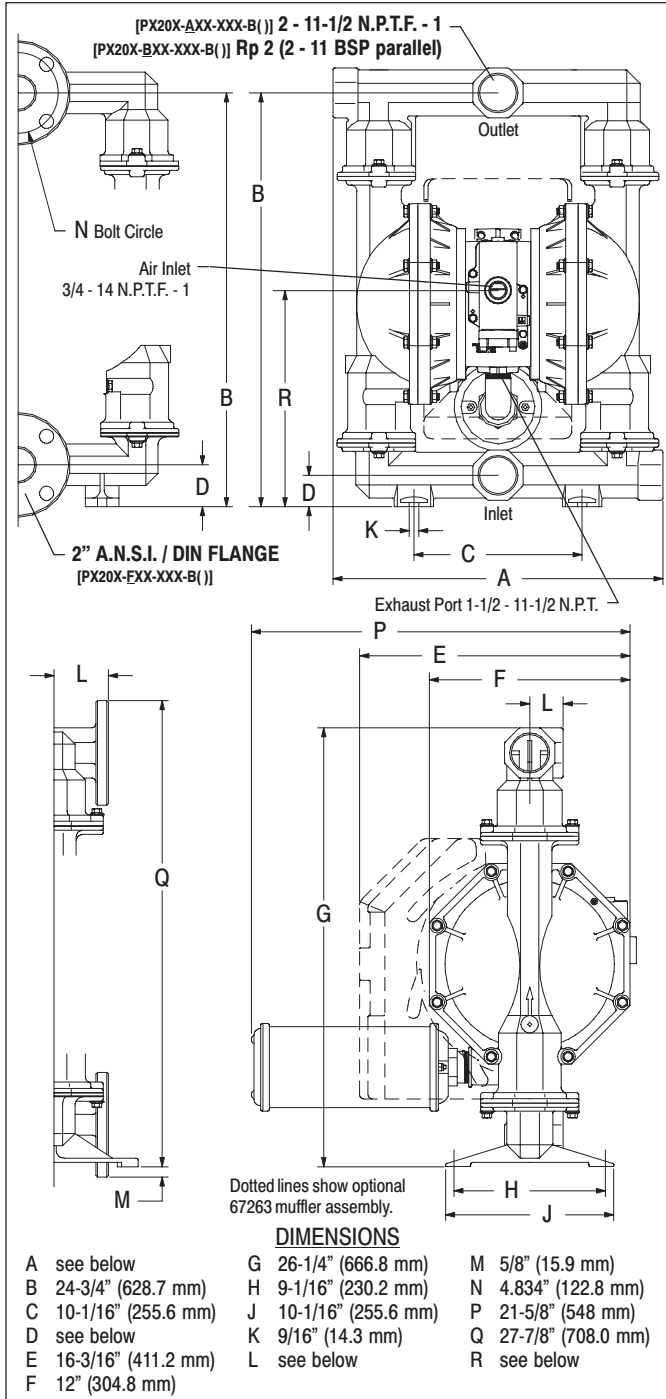


# SALES & ENGINEERING DATA

## PD20A-XXX-XXX-B / PD20S-XXX-XXX-B PE20A-XXX-XXX-B( ) / PE20S-XXX-XXX-B( ) 2" METALLIC DIAPHRAGM PUMP

RATIO SERIES:	<b>1:1</b>
FLUID P.S.I. RANGE:	<b>20 - 120</b>
RELEASED:	2-3-05
REVISED:	3-17-05
(REV. 03)	S-1338

### DIMENSIONAL DATA



### SPECIFICATIONS

#### CONSTRUCTION

Model Series	PD20A-X-X-B / PD20S-X-X-B
	PE20A-X-X-B( ) / PE20S-X-X-B( )
Pump Type	Metallic, Air Operated, Double Diaphragm
Ratio	1:1
<b>Material Inlet / Outlet (female)</b>	
PX20X-AXX-XXX-B( )	2 - 11-1/2 N.P.T.F. - 1
PX20X-BXX-XXX-B( )	Rp 2 (2 - 11 BSP parallel)
PX20X-FXX-XXX-B( )	2" A.N.S.I. / DIN Flange
<b>Air Inlet (female)</b> 3/4 - 14 N.P.T.F. - 1	
<b>Air Exhaust (female)</b> 1-1/2 - 11-1/2 N.P.T.	
<b>Weight</b>	
PX20A-XAX-XXX-B( )	91.4 lbs (41.5 kgs)
PX20A-XCX-XXX-B( )	147.4 lbs (66.9 kgs)
PX20A-AHX-XXX-B( ), -BHX	155.0 lbs (70.3 kgs)
PX20A-ASX-XXX-B( ), -BSX	149.8 lbs (68.0 kgs)
PX20A-FHX-XXX-B( ), -FSX	162.2 lbs (73.6 kgs)
(add 28.9 lbs [13.1 kgs] for stainless steel air motor section)	
<b>Air Section Service Kit</b>	637421
<b>Fluid Section Service Kit</b>	637309-XX
<b>Major Air Valve Assembly</b>	637374-X

**PX20X-XXX-X [X] [X] -B( )**  
**637309 - [X] [X]**

Diaphragm Material  
Ball Material

EXAMPLE: Model # PD20A-AAP-AAA-B  
Fluid Section Service Kit is 637309-AA

#### PERFORMANCE

<b>Air Inlet Pressure Range</b>	20 - 120 p.s.i. (1.4 - 8.3 bar)
<b>Maximum Material Inlet Pressure</b>	10 p.s.i. (0.69 bar)
<b>Fluid Pressure Range</b>	20 - 120 p.s.i. (1.4 - 8.3 bar)
<b>Maximum Flow Rate</b>	172 g.p.m. (651 l.p.m.)
<b>Displacement / Cycle @ 100 p.s.i.</b>	1.4 gal. (5.3 lit.)
<b>Maximum Particle Size</b>	1/4" dia. (6.4 mm)
<b>Maximum Temperature Limits (diaphragm / ball / seal material)</b>	
E.P.R. / EPDM	-60° to 280° F (-51° to 138° C)
Hytel®	-20° to 150° F (-29° to 66° C)
Nitrile	10° to 180° F (-12° to 82° C)
PVDF (Kynar®)	10° to 200° F (-12° to 93° C)
Santoprene®	-40° to 225° F (-40° to 107° C)
T.F.E. (Teflon®)	40° to 225° F (4° to 107° C)
Viton®	-40° to 350° F (-40° to 177° C)
<b>Noise Level @ 70 p.s.i. - 60 c.p.m.①</b>	85.0 db(A)②

① Tested with 67263 muffler assembly installed.  
② The pump sound pressure level has been updated to an Equivalent Continuous Sound Level (L<sub>Aeq</sub>) to meet the intent of ANSI S1. 13-1971, CAGI-PNEUROPS S.1 using four microphone locations.

#### ACCESSORIES:

- 66312 Air Line Connection Kit
- 67263 Continuous Muffler
- 94117 Int. Muffler

	"A"	"D"	"L"	"R"	NOTE:
PX20X-XAX-XXX-B( )	19-3/4" (501.4 mm)	1-7/8" (47.6 mm)	2" (50.8 mm)	12-15/16" (328.6 mm)	Dimensions are shown in inches and (mm), supplied for reference only and are typically rounded up to the nearest 1/16 inch.
PX20X-XCX-XXX-B( )	19-3/4" (501.4 mm)	1-7/8" (47.6 mm)	2" (50.8 mm)	12-15/16" (328.6 mm)	
PX20X-AHX-XXX-B( ), -BHX	19-1/4" (488.7 mm)	2-1/2" (63.5 mm)	2-3/32" (53.0 mm)	13-9/16" (344.5 mm)	
PX20X-ASX-XXX-B( ), -BSX	19-1/4" (488.7 mm)	2-1/2" (63.5 mm)	2-3/32" (53.0 mm)	13-9/16" (344.5 mm)	
PX20X-FHX-XXX-B( ), -FSX	19-1/4" (488.7 mm)	2-1/2" (63.5 mm)	3-1/4" (82.6 mm)	13-9/16" (344.5 mm)	

PERFORMANCE CURVES

PD20X-XXX-XXX-B / PE20X-XXX-XXX-B() 2" METALLIC DIAPHRAGM PUMP

