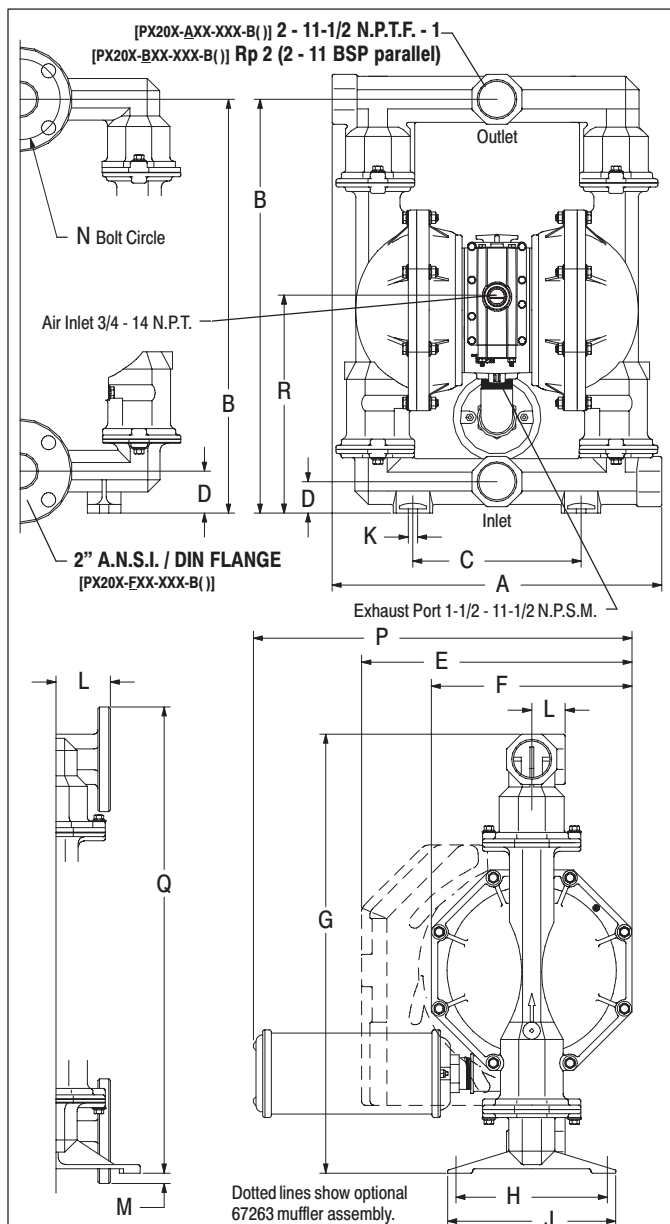


SALES & ENGINEERING DATA

PD20R-XXX-XXX-B / PD20Y-XXX-XXX-B PE20R-XXX-XXX-B() / PE20Y-XXX-XXX-B() 2" METALLIC DIAPHRAGM PUMP

RATIO SERIES:	1:1
FLUID P.S.I. RANGE:	20 - 120
RELEASED:	12-9-04
REVISED:	3-17-05
(REV. 03)	S-1339

DIMENSIONAL DATA



Dotted lines show optional 67263 muffler assembly.

DIMENSIONS

A see below	G 26-1/4" (666.8 mm)	M 5/8" (15.9 mm)
B 24-3/4" (628.7 mm)	H 9-1/16" (230.2 mm)	N 4.834" (122.8 mm)
C 10-1/16" (255.6 mm)	J 10-1/16" (255.6 mm)	P 21-5/8" (548 mm)
D see below	K 9/16" (14.3 mm)	Q 27-7/8" (708.0 mm)
E 16-3/16" (411.2 mm)	L see below	R 13-9/16" (344.5 mm)
F 12" (304.8 mm)		

	"A"	"D"	"L"
PX20X-XCX	19-3/4" (501.4 mm)	1-7/8" (47.6 mm)	2" (50.8 mm)
PX20X-AHX, -BHX	19-3/8" (492.1 mm)	2-1/2" (63.5 mm)	2-3/32" (53.0 mm)
PX20X-ASX, -BSX	19-3/8" (492.1 mm)	2-1/2" (63.5 mm)	2-3/32" (53.0 mm)
PX20X-FHX, -FSX	19-3/8" (492.1 mm)	2-1/2" (63.5 mm)	3-1/4" (82.6 mm)

NOTE: Dimensions are shown in inches and (mm), supplied for reference only and are typically rounded up to the nearest 1/16 inch.

SPECIFICATIONS

CONSTRUCTION

Model Series	PD20R-X-X-B / PD20Y-X-X-B
	PE20R-X-X-B() / PE20Y-X-X-B()
Pump Type	Metallic, Air Operated, Double Diaphragm
Ratio	1:1
Material Inlet / Outlet (female)	
PX20X-AXX-XXX-B()	2 - 11-1/2 N.P.T.F. - 1
PX20X-BXX-XXX-B()	Rp 2 (2 - 11 BSP parallel)
PX20X-FXX-XXX-B()	2" A.N.S.I. / DIN Flange
Air Inlet (female)	3/4 - 14 N.P.T.
Air Exhaust (female)	1-1/2 - 11-1/2 N.P.S.M.
Weight	
PX20X-XCX-XXX-B()	165 lbs (74.8 kgs)
PX20X-AHX-XXX-B()	154 lbs (69.9 kgs)
PX20X-ASX-XXX-B()	154 lbs (69.9 kgs)
PX20X-BHX-XXX-B()	154 lbs (69.9 kgs)
PX20X-BSX-XXX-B()	154 lbs (69.9 kgs)
PX20X-FHX-XXX-B()	146 lbs (66.2 kgs)
PX20X-FSX-XXX-B()	146 lbs (66.2 kgs)
Air Section Service Kit	637369
Fluid Section Service Kit	637309-XX

PX20X-XXX-X [X] [X] -B()
637309 - [X] [X]
 Diaphragm Material
 Ball Material

EXAMPLE: Model # PD20Y-ACP-SAA-B
 Fluid Section Service Kit is 637309-AA

PERFORMANCE

Air Inlet Pressure Range	20 - 120 p.s.i. (1.4 - 8.3 bar)
Maximum Material Inlet Pressure	10 p.s.i. (0.69 bar)
Fluid Pressure Range	20 - 120 p.s.i. (1.4 - 8.3 bar)
Maximum Flow Rate	172 g.p.m. (651 l.p.m.)
Displacement / Cycle @ 100 p.s.i.	1.4 gal. (5.3 lit.)
Maximum Particle Size	1/4" dia. (6.4 mm)
Maximum Temperature Limits (diaphragm / ball / seal material)	
E.P.R. / EPDM	-60° to 280° F (-51° to 138° C)
Hytrek	-20° to 150° F (-29° to 66° C)
Nitrile	10° to 180° F (-12° to 82° C)
Polypropylene	35° to 150° F (2° to 66° C)
PVDF (Kynar)	10° to 200° F (-12° to 93° C)
Santoprene	-40° to 225° F (-40° to 107° C)
T.F.E. (Teflon)	40° to 225° F (4° to 107° C)
Viton	-40° to 350° F (-40° to 177° C)
Noise Level @ 70 p.s.i. - 60 c.p.m.①	85.0 db(A)②

① Tested with 67263 muffler assembly installed.
 ② The pump sound pressure level has been updated to an Equivalent Continuous Sound Level (L_{Aeq}) to meet the intent of ANSI S1. 13-1971, CAGI-PNEUROP S5.1 using four microphone locations.

ACCESSORIES:

- 66473 Air Line Connection Kit
- 67263 Continuous Muffler
- 94117 Int. Muffler

PERFORMANCE CURVES

PD20X-XXX-XXX-B / PE20X-XXX-XXX-B() 2" METALLIC DIAPHRAGM PUMP

