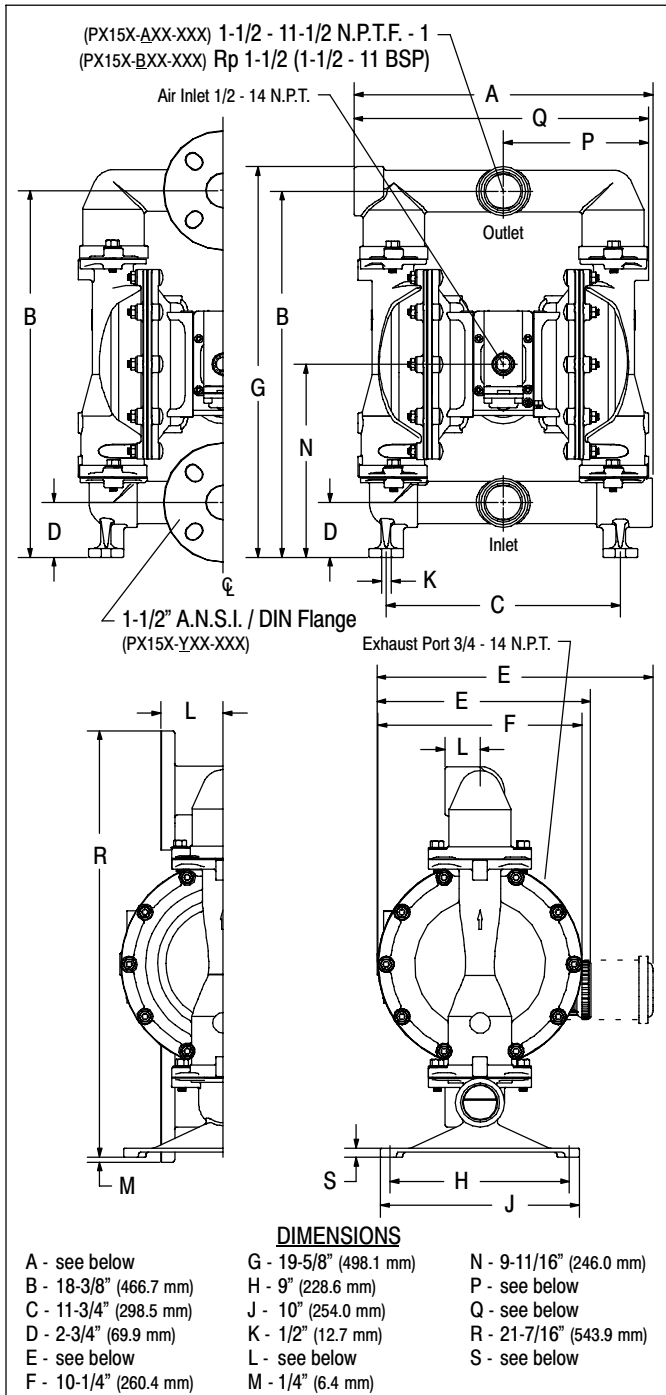


SALES & ENGINEERING DATA

PD15X-XXX-XXX and PE15X-XXX-XXX 1-1/2" METALLIC DIAPHRAGM PUMP

RATIO SERIES:	1:1
FLUID P.S.I. RANGE:	20 - 120
RELEASED:	8-7-03
REVISED:	6-20-07
(REV. 08)	S-1281

DIMENSIONAL DATA



SPECIFICATIONS

CONSTRUCTION

Model Series	PD15X-XXX-XXX PE15X-XXX-XXX
Pump Type	Metallic, Air Operated, Double Diaphragm
Ratio	1:1
Material Inlet / Outlet (female)	
PX15X- AXX -XXX	1-1/2 - 11-1/2 N.P.T.F. - 1
PX15X- BXX -XXX	Rp 1-1/2 (1-1/2 - 11 BSP)
PX15X-YXX-XXX	1-1/2" A.N.S.I. / DIN Flange
Air Inlet (female)	1/2 - 14 N.P.T.
Air Exhaust (female)	3/4 - 14 N.P.T.
Weight ..	PX15R-XAX-XXX
	PX15R-XCX-XXX
	PX15R-XHX-XXX
	PX15R-XSX-XXX
	add 2.14 lbs (0.97 kg) for aluminum air motor section
	add 18.14 lbs (8.23 kg) for stainless steel air motor section
Air Section Service Kit	637389
Major Air Valve Assembly	637390-X
Fluid Section Service Kit	637375-XX

PX15X-XXX-X
637375 -
 Diaphragm Material
 Ball Material

EXAMPLE: Model # PD15S-ASS-SAA
 Fluid Section Service Kit is 637375-AA

PERFORMANCE

Air Inlet Pressure Range	20 - 120 p.s.i. (1.4 - 8.3 bar)
Maximum Material Inlet Pressure ..	10 p.s.i. (0.69 bar)
Fluid Pressure Range	20 - 120 p.s.i. (1.4 - 8.3 bar)
Maximum Flow Rate (flooded inlet) ...	123 g.p.m. (465.6 l.p.m.)
Displacement / Cycle @ 100 p.s.i. ..	0.617 gal. (2.34 lit.)
Maximum Particle Size	1/4" dia. (6.4 mm)
Maximum Temperature Limits (diaphragm / ball / seal material)	
E.P.R. / EPDM	-60° to 280° F (-51° to 138° C)
Hytlre	-20° to 150° F (-29° to 66° C)
Nitrile	10° to 180° F (-12° to 82° C)
Polypropylene	35° to 150° F (2° to 66° C)
Santoprene	-40° to 225° F (-40° to 107° C)
Teflon PTFE	40° to 225° F (4° to 107° C)
Viton	-40° to 350° F (-40° to 177° C)
Noise Level @ 70 p.s.i. - 60 c.p.m. ..	82.8 db(A)①

① The pump sound pressure level has been updated to an Equivalent Continuous Sound Level (L_{Aeq}) to meet the intent of ANSI S1. 13-1971, CAGI-PNEUROP S5.1 using four microphone locations.

	"A"	"L"	"P"	"Q"	"S"	"E"
PX15X-XAX-XXX	14-7/8" (377.8 mm)	1-3/4" (44.5 mm)	7-7/32" (183.4 mm)	14-23/32" (373.9 mm)	1/2" (12.7 mm)	PX15A-XXX-XXX 14-1/32" (356.2 mm)
PX15X-XCX-XXX	14-5/8" (371.5 mm)	1-3/4" (44.5 mm)	7-3/16" (182.6 mm)	14-1/2" (368.3 mm)	1/4" (6.4 mm)	PX15R-XXX-XXX 11-3/32" (281.3 mm)
PX15X-XHX-XXX	14-9/16" (370.0 mm)	3-1/8" (79.4 mm)	7-3/16" (182.6 mm)	14-1/2" (368.3 mm)	1/4" (6.4 mm)	PX15S-XXX-XXX 13-7/8" (352.4 mm)
PX15X-ASX-XXX	14-25/32" (375.5 mm)	1-3/4" (44.5 mm)	7-9/32" (185.0 mm)	14-13/16" (375.5 mm)	15/32" (11.4 mm)	
PX15X-BSX-XXX	14-25/32" (375.5 mm)	1-3/4" (44.5 mm)	7-9/32" (185.0 mm)	14-13/16" (375.5 mm)	15/32" (11.4 mm)	
PX15X-YSX-XXX	14-9/16" (370.0 mm)	3-1/8" (79.4 mm)	7-9/32" (185.0 mm)	14-9/16" (370.0 mm)	15/32" (11.4 mm)	

PERFORMANCE CURVES

PX15X-XXX-XXX 1-1/2" METALLIC DIAPHRAGM PUMP

