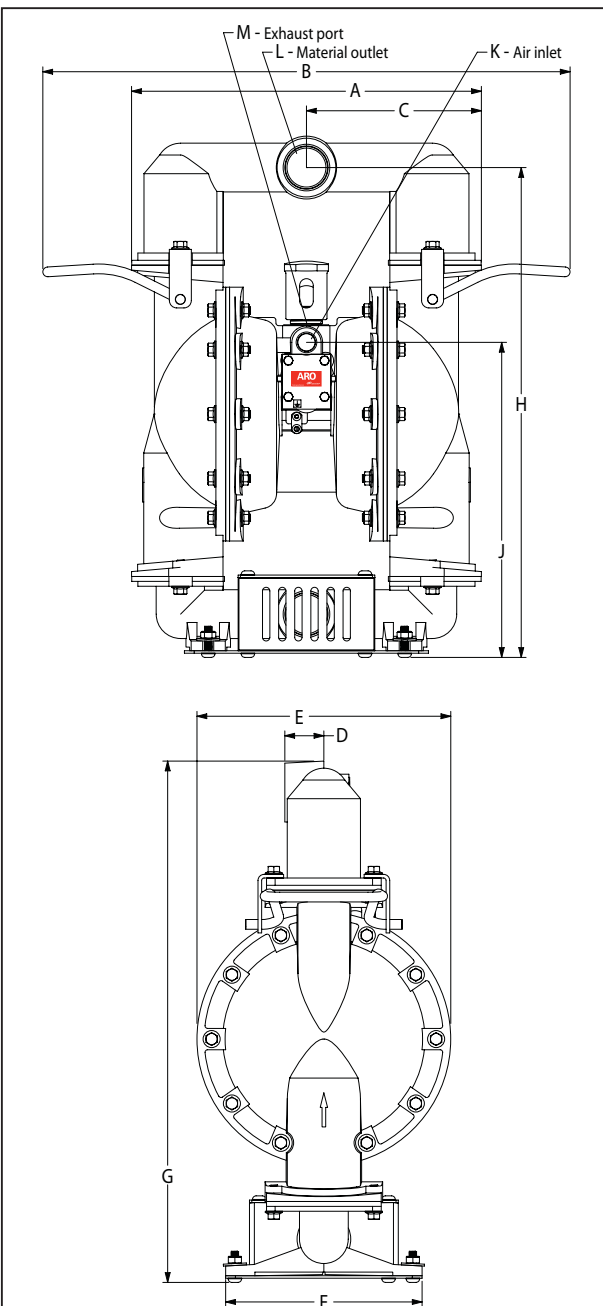


SALES & ENGINEERING DATA

66M2X0-XXX-C 2" Metallic Diaphragm Pump

RATIO SERIES:	1:1
FLUID P.S.I. RANGE:	10 - 120
RELEASED:	12-6-08
REVISED:	
(REV. 01)	S-1449

DIMENSIONAL DATA



DIMENSIONS

A - 17-15/16" (455.1 mm)	E - 13" (330.2 mm)	J - 16-5/32" (409.9 mm)
B - 25-19/32" (650.0 mm)	F - 10-1/16" (255.6 mm)	K - 3/4 - 14 NPTF - 2
C - 8-31/32" (227.6 mm)	G - 26-23/32" (678.2 mm)	L - see below
D - 2" (50.8 mm)	H - 25-3/32" (637.3 mm)	M - 1-1/4 - 11-1/2 NPTF - 2

"L" Inlet / Outlet

66M250-XXX-C	2 - 11-1/2 NPTF - 2
66M270-XXX-C	Rp 2 (2 - 11 BSP, parallel)

NOTE: Dimensions are shown in inches and (mm) and are supplied for reference only.

SPECIFICATIONS

Model Series	66M2X0-XXX-C
Pump Type	Metallic, air operated, double diaphragm pump
Ratio	1:1
Material Inlet / Outlet (female)	
66M250-XXX-C	2 - 11-1/2 NPTF - 2
66M270-XXX-C	Rp 2 (2 - 11 BSP parallel)
Air Inlet (female)	3/4 - 14 NPTF - 2
Air Exhaust (female)	1-1/4 - 11-1/2 NPTF - 2
Weight	74.15 lbs (33.63 kgs)
Air Section Service Kit	637434
Fluid Section Service Kit	637468-XX

66M2X0 - X|X|X - C

637468 - X|X|X

Diaphragm Material
Ball Material

EXAMPLE: Model #66M250-1EB-C

Fluid Section Service Kit # 637468-EB

PERFORMANCE

Air Inlet Pressure Range	10 - 120 p.s.i.g. (0 - 8.3 bar)
Maximum Material Inlet Pressure	10 p.s.i.g. (0.69 bar)
Fluid Pressure Range	10 - 120 p.s.i.g. (0 - 8.3 bar)
Maximum Flow Rate (flooded inlet)	156 g.p.m. (590.5 l.p.m.)
Displacement / Cycle @ 100 p.s.i.	1.02 gal. (3.86 lit.)
Maximum Particle Size	3/4" (19.1 mm)
Maximum Temperature Limits (diaphragm / ball / seal / seat material)	
E.P.R. / EPDM	-60° to 280° F (-51° to 138° C)
Hytrel®	-20° to 150° F (-29° to 66° C)
Nitrile	10° to 180° F (-12° to 82° C)
Santoprene®	-40° to 225° F (-40° to 107° C)
Viton®	-40° to 350° F (-40° to 177° C)
Noise Level @ 70 p.s.i. - 60 c.p.m. ①	85.3 db(A)Ⓜ
Noise Level @ 70 p.s.i. - 60 c.p.m. ③	105.3 db(A)Ⓜ

① Tested with 94810 muffler assembly installed.

② The pump sound pressure level has been updated to an Equivalent Continuous Sound Level (L_{Aeq}) to meet the intent of ANSI S1.13-1971, CAGI-PNEUROP S5.1 using four microphone locations.

③ Tested with 97116 housing and 97110-2 ball installed.

PERFORMANCE CURVES

66M2X0-XXX-C 2", METALLIC DIAPHRAGM PUMP

