

SALES & ENGINEERING DATA

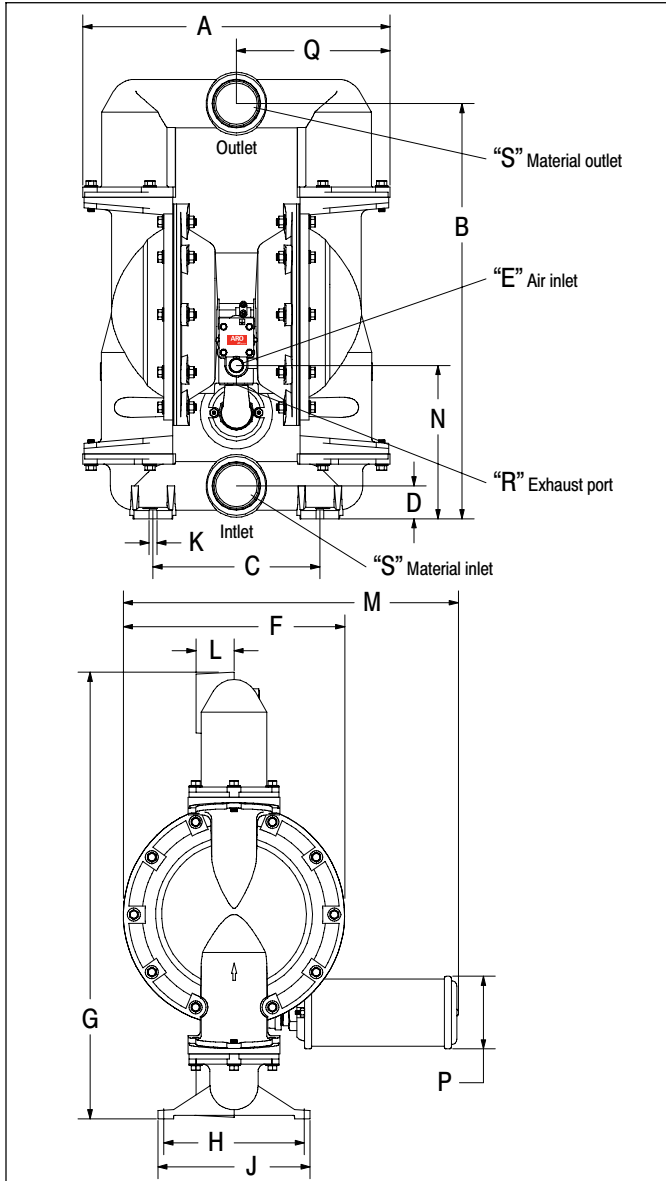
RATIO SERIES: **1:1**

FLUID P.S.I. RANGE: **20 - 120**

66630X-XXX-C and 66632X-XXX-C 3" METALLIC DIAPHRAGM PUMP

RELEASED: 3-21-06
REVISED: 3-20-07
(REV. 02) S-1363

DIMENSIONAL DATA



DIMENSIONS

A 22-7/32" (563.9 mm)	G (see below)	N 11-3/32" (281.4 mm)
B 30" (762.0 mm)	H 10-5/32" (258.0 mm)	P 5-1/4" (133.4 mm)
C 12-1/16" (306.4 mm)	J 11" (279.4 mm)	Q 11-1/8" (281.9 mm)
D 2-3/8" (60.3 mm)	K 9/16" (14.3 mm)	R 1-1/4 - 11-1/2 N.P.T.F.-1
E 3/4 - 14 N.P.T.F. - 1	L 2-3/4" (69.9 mm)	S (see below)
F 16" (406.4 mm)	M 24-7/16" (620.7 mm)	

NOTE: Dimensions are shown in inches and (mm) and are supplied for reference only.

"G"		"S" Inlet / Outlet	
66630X-X-C	32-9/32" (819.8 mm)	66630X-X-C	3 - 8 N.P.T.F. - 2
6663X1-X-C	32-5/32" (816.8 mm)	66632X-X-C	Rp 3 (3 - 11 BSP, parallel)
6663X2-X-C	32-9/32" (819.8 mm)		
6663XB-X-C	32-5/32" (816.8 mm)		
6663XC-X-C	32-9/32" (819.8 mm)		

SPECIFICATIONS

CONSTRUCTION

Model Series	66630X-XXX-C / 66632X-XXX-C
Pump Type	Metallic, Air Operated, Double Diaphragm
Ratio	1:1
Material Inlet / Outlet (female)	
66630X-XXX-C	3 - 8 N.P.T.F. - 2
66632X-XXX-C	Rp 3 (3 - 11 BSP parallel)
Air Inlet (female)	3/4 - 14 N.P.T.F. - 1
Air Exhaust (female)	1-1/4 - 11-1/2 N.P.T.F. - 1
Weight	
6663X0-XXX-C	109.84 lbs (49.82 kgs)
6663X1-XXX-C	222.21 lbs (100.79 kgs)
6663X2-XXX-C	213.08 lbs (96.65 kgs)
6663XB-XXX-C	222.21 lbs (100.79 kgs)
6663XC-XXX-C	213.08 lbs (96.65 kgs)
Air Section Service Kit	637434
Fluid Section Service Kit	637433-XX

6663XX-X -C

637433 -

Diaphragm Material
Ball Material

EXAMPLE: Model # 666300-EEB-C
Fluid Section Service Kit is 637433-EB

PERFORMANCE

Air Inlet Pressure Range	20 - 120 p.s.i. (1.4 - 8.3 bar)
Maximum Material Inlet Pressure	10 p.s.i. (0.69 bar)
Fluid Pressure Range	20 - 120 p.s.i. (1.4 - 8.3 bar)
Maximum Flow Rate	237 g.p.m. (897.0 l.p.m.)
Displacement / Cycle @ 100 p.s.i.	2.65 gal. (10.03 lit.)
Maximum Particle Size	3/8" dia. (9.5 mm)
Maximum Temperature Limits (diaphragm / ball / seat material)	
E.P.R. / EPDM	-60° to 280° F (-51° to 138° C)
Hytrel®	-20° to 150° F (-29° to 66° C)
Kynar® PVDF	10° to 200° F (-12° to 93° C)
Nitrile	10° to 180° F (-12° to 82° C)
Santoprene®	-40° to 225° F (-40° to 107° C)
Teflon® PTFE	40° to 225° F (4° to 107° C)
Viton®	-40° to 350° F (-40° to 177° C)
Noise Level @ 70 p.s.i. - 60 c.p.m.①	86.3 db(A)②

① Tested with 94810 muffler assembly installed.

② The pump sound pressure level has been updated to an Equivalent Continuous Sound Level (L_{Aeq}) to meet the intent of ANSI S1. 13-1971, CAGI-PNEUROP S5.1 using four microphone locations.

ACCESSORIES:

66312 Air Line Connection Kit

PERFORMANCE CURVES

66630X-XXX-C / 66632X-XXX-C 3" METALLIC DIAPHRAGM PUMP

