

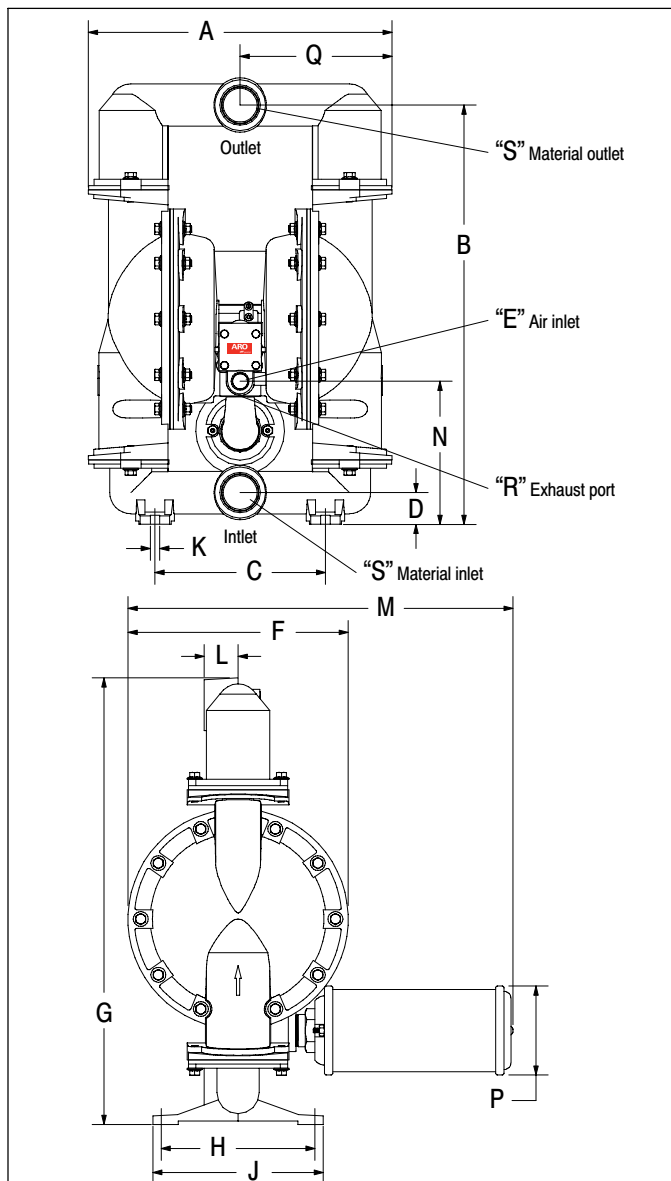
SALES & ENGINEERING DATA

66625X-XXX-C and 66627X-XXX-C 2" METALLIC DIAPHRAGM PUMP

RATIO SERIES:	1:1
FLUID P.S.I. RANGE:	20 - 120

RELEASED: 3-21-06
 REVISED: 3-19-07
 (REV. 02) S-1362

DIMENSIONAL DATA



DIMENSIONS

A (see below)	G (see below)	N 8-15/32" (214.6 mm)
B 24-3/4" (628.7 mm)	H 9-1/16" (230.2 mm)	P 5-1/4" (133.4 mm)
C 10-1/16" (255.6 mm)	J 10-1/16" (255.6 mm)	Q (see below)
D 1-7/8" (47.6 mm)	K 9/16" (14.3 mm)	R 1-1/4 - 11-1/2 N.P.T.F.-1
E 3/4 - 14 N.P.T.F. - 1	L 2" (50.8 mm)	S (see below)
F 13" (330.2 mm)	M 22-3/4" (577.3 mm)	

NOTE: Dimensions are shown in inches and (mm) and are supplied for reference only.

SPECIFICATIONS

CONSTRUCTION

Model Series	66625X-XXX-C / 66627X-XXX-C
Pump Type	Metallic, Air Operated, Double Diaphragm
Ratio	1:1
Material Inlet / Outlet (female)	
66625X-XXX-C	2 - 11-1/2 N.P.T.F. - 1
66627X-XXX-C	Rp 2 (2 - 11 BSP, parallel)
Air Inlet (female)	3/4 - 14 N.P.T.F. - 1
Air Exhaust (female)	1-1/4 - 11-1/2 N.P.T.F. - 1
Weight ..	
6662X0-XXX-C	65.15 lbs (29.55 kgs)
6662X1-XXX-C	129.93 lbs (58.94 kgs)
6662X2-XXX-C	124.30 lbs (56.38 kgs)
6662XB-XXX-C	129.93 lbs (58.94 kgs)
6662XC-XXX-C	124.30 lbs (56.38 kgs)
Air Section Service Kit	637434
Fluid Section Service Kit	637432-XX

6662XX-X XX -C
 637432 - XX

Diaphragm Material
 Ball Material
 EXAMPLE: Model # 666250-EEB-C
 Fluid Section Service Kit is 637432-EB

PERFORMANCE

Air Inlet Pressure Range	20 - 120 p.s.i. (1.4 - 8.3 bar)
Maximum Material Inlet Pressure	10 p.s.i. (0.69 bar)
Fluid Pressure Range	20 - 120 p.s.i. (1.4 - 8.3 bar)
Maximum Flow Rate	172 g.p.m. (651 l.p.m.)
Displacement / Cycle @ 100 p.s.i.	1.35 gal. (5.12 lit.)
Maximum Particle Size	1/4" dia. (6.4 mm)
Maximum Temperature Limits (diaphragm / ball / seat material)	
E.P.R. / EPDM	-60° to 280° F (-51° to 138° C)
Hytrel®	-20° to 150° F (-29° to 66° C)
Kynar® PVDF	10° to 200° F (-12° to 93° C)
Nitrile	10° to 180° F (-12° to 82° C)
Santoprene®	-40° to 225° F (-40° to 107° C)
Teflon® P.T.F.E.	40° to 225° F (4° to 107° C)
Viton®	-40° to 350° F (-40° to 177° C)
Noise Level @ 70 p.s.i. - 60 c.p.m.①	85.3 db(A)②

① Tested with 94810 muffler assembly installed.

② The pump sound pressure level has been updated to an Equivalent Continuous Sound Level (L_{eq}) to meet the intent of ANSI S1. 13-1971, CAGI-PNEUROPS S5.1 using four microphone locations.

ACCESSORIES:

66312 Air Line Connection Kit

	"A"	"G"	"Q"	"S" Inlet / Outlet
6662X0-XXX-C	17-15/16" (455.1 mm)	26-3/8" (669.5 mm)	8-31/32" (227.6 mm)	66625X-XXX-C 2 - 11-1/2 N.P.T.F. - 1
6662X1-XXX-C	18" (456.7 mm)	26-9/32" (667.5 mm)	9" (228.4 mm)	66627X-XXX-C Rp 2 (2 - 11 BSP parallel)
6662X2-XXX-C	17-15/16" (455.1 mm)	26-3/8" (669.5 mm)	8-31/32" (227.6 mm)	
6662XB-XXX-C	18" (456.7 mm)	26-9/32" (667.5 mm)	9" (228.4 mm)	
6662XC-XXX-C	17-15/16" (455.1 mm)	26-3/8" (669.5 mm)	8-31/32" (227.6 mm)	

PERFORMANCE CURVES

66625X-XXX-C / 66627X-XXX-C 2" METALLIC DIAPHRAGM PUMP

