

SALES & ENGINEERING DATA

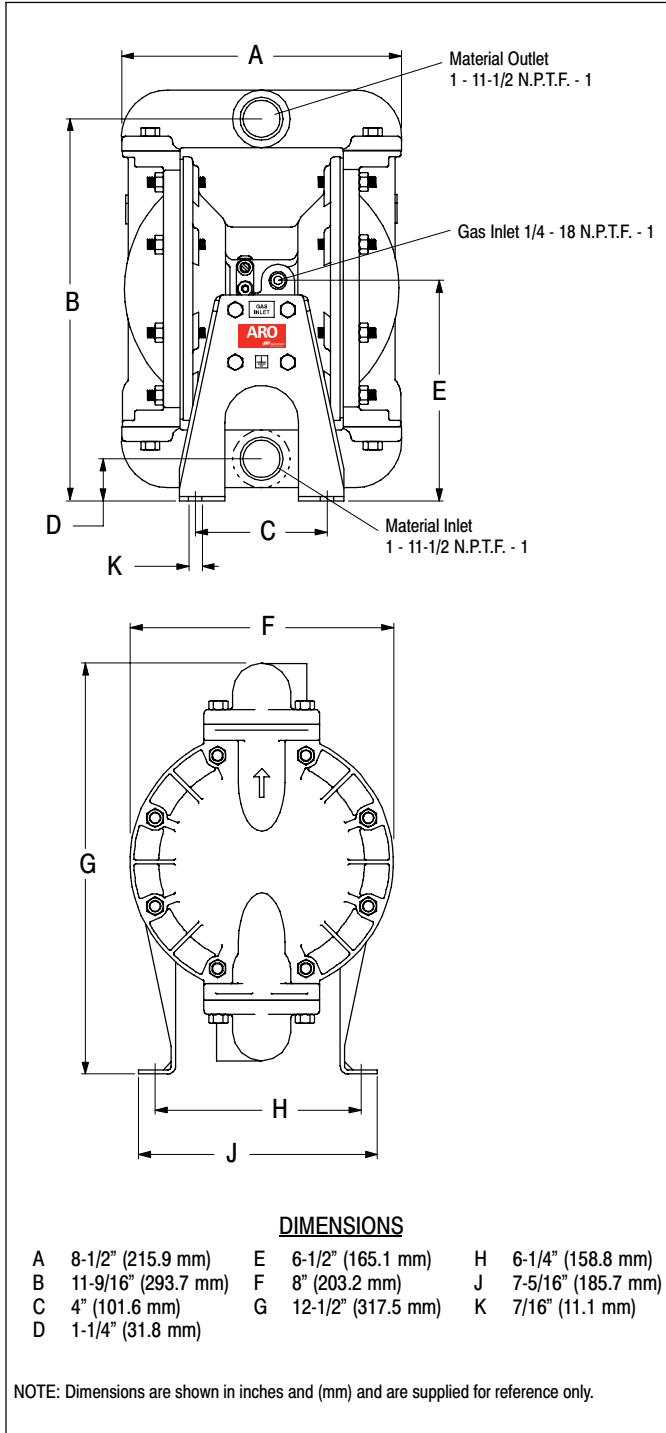
| | |
|---------------------|-----------------|
| RATIO SERIES: | 1:1 |
| FLUID P.S.I. RANGE: | 20 - 120 |

6661H0-1C9-C

1" METALLIC DIAPHRAGM PUMP

RELEASED: 7-5-07
 REVISED:
 (REV. 01) S-1413

DIMENSIONAL DATA



SPECIFICATIONS

CONSTRUCTION

| | |
|----------------------------------|---|
| Model Series | 6661H0-1C9-C |
| Pump Type | Metallic, Gas Operated, Double Diaphragm |
| Ratio | 1:1 |
| Material Inlet / Outlet (female) | 1 - 11-1/2 N.P.T.F. - 1 |
| Gas Inlet (female) | 1/4 - 18 N.P.T.F. - 1 |
| Gas Exhaust (female) | 3/8 - 18 N.P.T.F. - 1 |
| Weight | 19 lbs (8.62 kgs) |
| Gas Section Service Kit | 637118-C |
| Fluid Section Service Kit | 637119-C9-C |

6661H0 - 1 -C
 637119 - -C
 Diaphragm Material
 Ball Material

EXAMPLE: Model 6661H0-1C9-C
 Fluid Section Service Kit is 637119-C9-C

PERFORMANCE

| | |
|--|-------------------------------|
| Gas Inlet Pressure Range | 20 - 120 p.s.i. (1 - 8.3 bar) |
| Maximum Material Inlet Pressure | 10 p.s.i. (0.69 bar) |
| Fluid Pressure Range | 20 - 120 p.s.i. (1 - 8.3 bar) |
| Maximum Flow Rate (flooded inlet) | 35 g.p.m. (133 l.p.m.) |
| Maximum Particle Size | 1/8" dia. (3.2 mm) |
| Maximum Temperature Limits | 32° to 125° F (0° to 52° C) |
| Displacement / Cycle @ 100 p.s.i. | 0.156 gal. (0.59 lit.) |
| Noise Level @ 70 p.s.i. - 60 c.p.m. ^① | 64.5 db(A) ^② |

- ① Tested with 93110 muffler installed.
- ② The pump sound pressure level has been updated to an Equivalent Continuous Sound Level (L_{Aeq}) to meet the intent of ANSI S1. 13-1971, CAGI-PNEUROP S5.1 using four microphone locations.

ACCESSORIES:

66073-2 Air Line Connection Kit

PERFORMANCE CURVES

6661H0-1C9-C 1" METALLIC DIAPHRAGM PUMP

