

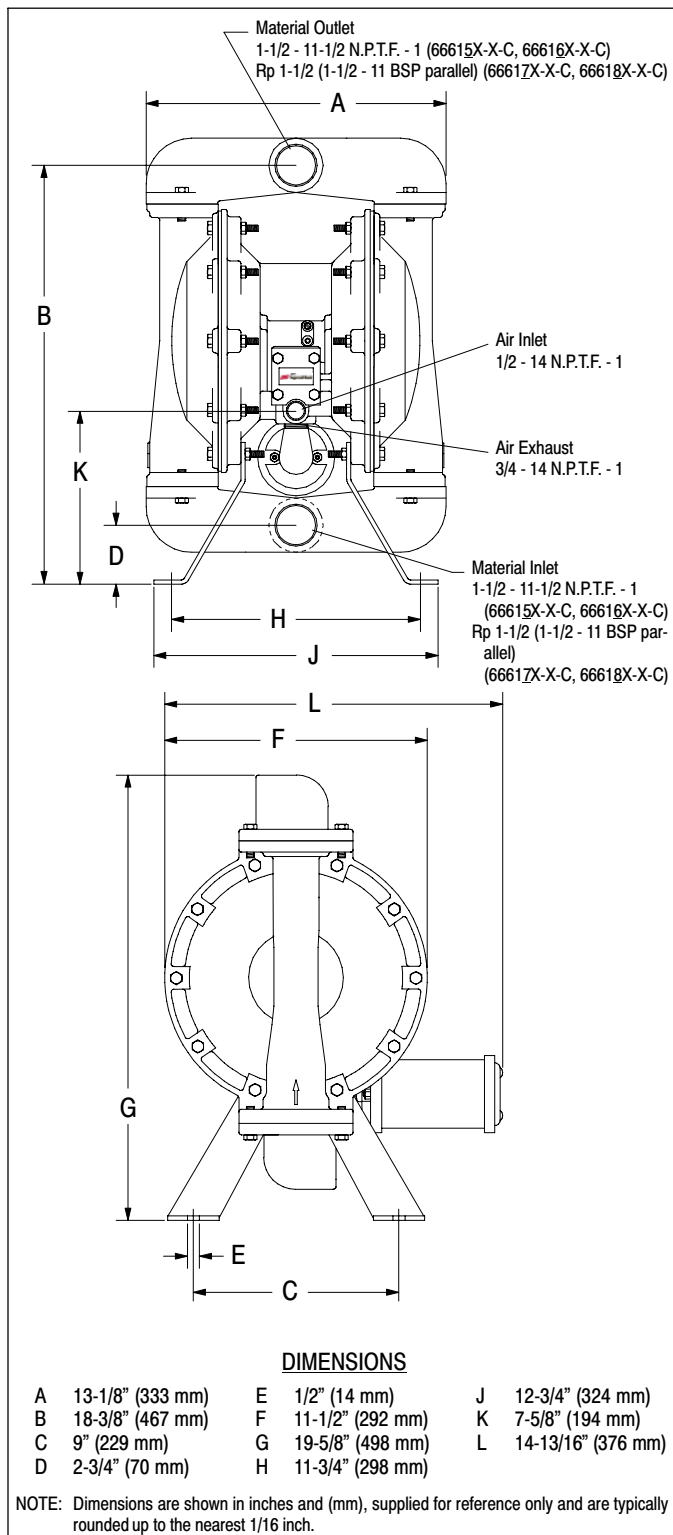
# SALES & ENGINEERING DATA

RATIO SERIES:	<b>1:1</b>
FLUID P.S.I. RANGE:	<b>20 - 120</b>

## 66615X-XXX-C THRU 66618X-XXX-C 1-1/2" METALLIC DIAPHRAGM PUMP

RELEASED: 1-10-97  
 REVISED: 3-2-06  
 (REV. 05) S-879

### DIMENSIONAL DATA



### SPECIFICATIONS

#### CONSTRUCTION

**Model Series** . . . . . 66615X-XXX-C thru 66618X-XXX-C  
**Pump Type** . . . . . Metallic, Air Operated, Double Diaphragm  
**Ratio** . . . . . 1:1  
**Material Inlet / Outlet (female)**  
 66615X-X-C and 66616X-X-C . . . . . 1-1/2 - 11-1/2 N.P.T.F. - 1  
 66617X-X-C and 66618X-X-C . . . . . Rp 1-1/2 (1-1/2 - 11 BSP parallel)  
**Air Inlet (female)** . . . . . 1/2 - 14 N.P.T.F. - 1  
**Air Exhaust (female)** . . . . . 3/4 - 14 N.P.T.F. - 1  
**Weight** Aluminum . . . . . 51.54 lbs (23.4 kgs)  
 Cast Iron . . . . . 79.54 lbs (36.1 kgs)  
 Stainless Steel . . . . . 84.54 lbs (38.3 kgs)  
 (add 23 lbs (10.4 kgs) for cast iron air motor section)  
**Air Section Service Kit** . . . . . 637118-C  
**Fluid Section Service Kit** . . . . . 637124-XX

**66615X - X X X - C**  
**637124 - X X X**

Diaphragm Material  
 Ball Material

EXAMPLE: Model 666150-361-C  
 Fluid Section Service Kit is 637124-61

#### PERFORMANCE

**Air Inlet Pressure Range** . . . . . 20 - 120 p.s.i. (1.4 - 8.3 bar)  
**Maximum Material Inlet Pressure** . . . . . 10 p.s.i. (0.69 bar)  
**Fluid Pressure Range** . . . . . 20 - 120 p.s.i. (1.4 - 8.3 bar)  
**Maximum Flow Rate (flooded inlet)** . . . . . 90 g.p.m. (340.7 l.p.m.)  
**Maximum Particle Size** . . . . . 1/4" dia. (6.4 mm)  
**Maximum Temperature Limits (diaphragm / ball / seat material)**  
 Acetal . . . . . 10° to 180° F (-12° to 82° C)  
 E.P.R. . . . . -60° to 280° F (-51° to 138° C)  
 Hytrel . . . . . -20° to 150° F (-29° to 66° C)  
 Neoprene . . . . . 0° to 200° F (-18° to 93° C)  
 Nitrile . . . . . 10° to 180° F (-12° to 82° C)  
 Polypropylene . . . . . 35° to 150° F (2° to 66° C)  
 Polyurethane . . . . . 10° to 150° F (-12° to 66° C)  
 PVDF (Kynar) . . . . . 10° to 200° F (-12° to 93° C)  
 T.F.E. (Teflon) . . . . . 40° to 225° F (4° to 107° C)  
 Santoprene . . . . . -40° to 225° F (-40° to 107° C)  
 Viton . . . . . -40° to 350° F (-40° to 177° C)  
**Displacement / Cycle @ 100 p.s.i.** . . . . . 0.64 gal. (2.42 lit.)  
**Noise Level @ 70 p.s.i. - 60 c.p.m.** ① . . . . . 77.7 db(A)②

① Tested with 93139 muffler installed.  
 ② The pump sound pressure level has been updated to an Equivalent Continuous Sound Level (L<sub>Aeq</sub>) to meet the intent of ANSI S1. 13-1971, CAGI-PNEUROPS S5.1 using four microphone locations.

#### ACCESSORIES:

- 65010 Neoprene "O" Ring Air Motor Kit
- 65764 Viton "O" Ring Air Motor Kit
- 66084-1 Air Line Connection Kit
- 637155 Abrasion Resistant Conversion Kit



PERFORMANCE CURVES

6661XX-XXX-C 1-1/2" METALLIC DIAPHRAGM PUMP

