

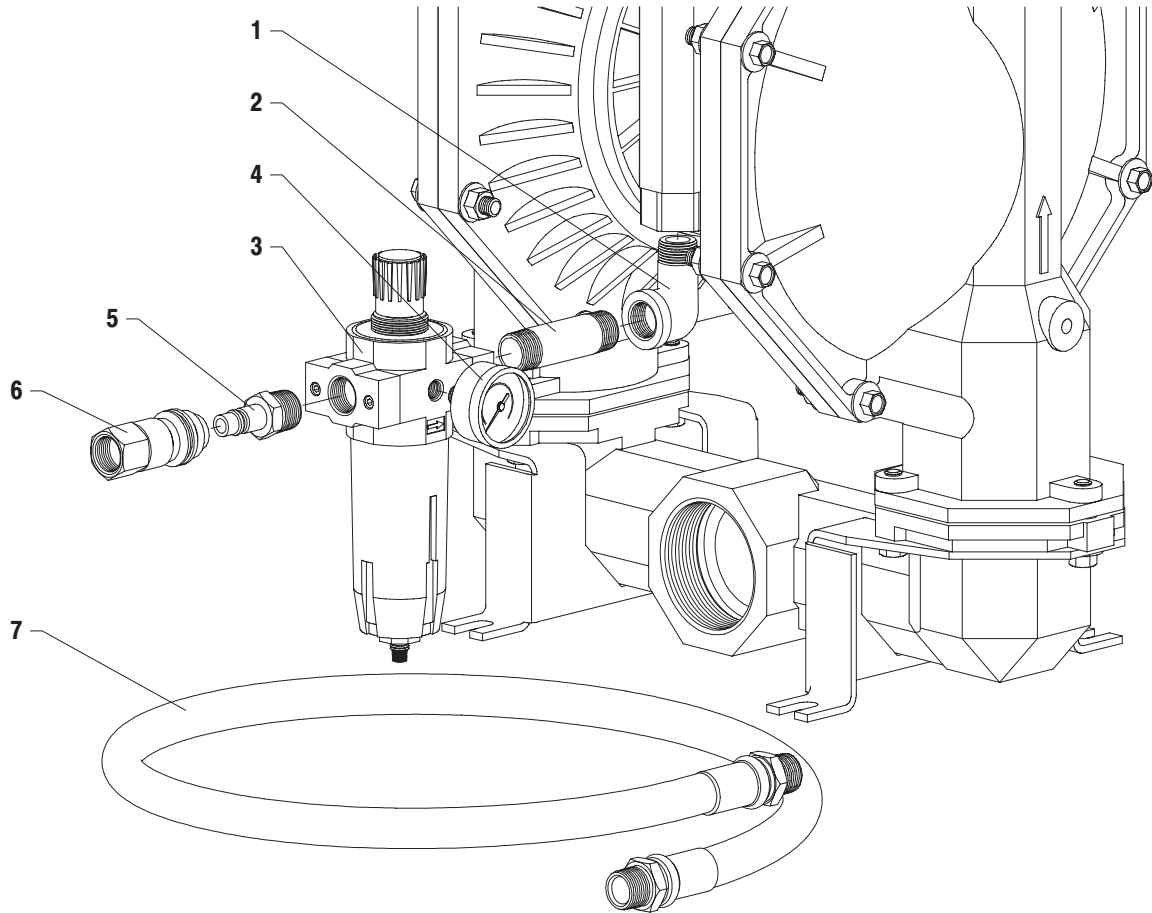
INSTALLATION SHEET

66109

RELEASED: 12-20-95
 REVISED: 9-8-03
 (REV. D)

66109 AIR LINE CONNECTION KIT

(For use on 3" Diaphragm Pump models with metallic air motors)



PARTS LIST

Item	Description (size)	Qty	Part No.	Item	Description (size)	Qty	Part No.
1	90° Street Elbow (3/4 - 14 N.P.T.)	(1)	Y43-5-C	5	Connector (3/4 - 14 N.P.T.F. male)	(1)	23904-510
2	Nipple (3/4 - 14 N.P.T. x 3-1/2")	(1)	Y44-44-C	6	Coupler (3/4 - 14 N.P.T.F. female)	(1)	23204-005
3	Filter / Regulator (includes item 4)	(1)	P29351-600	7	Hose (3/4" i.d. x 5')(3/4 - 14 N.P.T.F. male)	(1)	622651-5
4	Gauge (0 - 160 p.s.i. / 0 - 11 bar)	(1)	100067				

PN 97999-641

