

OPERATOR'S MANUAL

650950-X

INCLUDING: SPECIFICATIONS, SERVICE KITS, GENERAL INFORMATION, TROUBLESHOOTING.

INCLUDE MANUALS: 6720X-X Lower Pump End (pn 97999-788), 67147-B Hydraulic Motor (pn 97999-1219) & S-632 General Information Manual (pn 97999-624)

RELEASED: 8-28-98

REVISED: 11-13-06

(REV. E)

2.062 SQ." HYDRAULIC MOTOR
0.2:1 RATIO
5.75" STROKE

650950-X4X
FOUR BALL PUMP SERIES
 300 SERIES STAINLESS STEEL



READ THIS MANUAL CAREFULLY BEFORE INSTALLING, OPERATING OR SERVICING THIS EQUIPMENT.

It is the responsibility of the employer to place this information in the hands of the operator. Keep for future reference.

SERVICE KITS

- Use only genuine ARO® replacement parts to assure compatible pressure rating and longest service life.
- **637449** for repair of hydraulic motor section.
- **637318-X4B** for repair of lower pump section. Refer to the chart on page 2 for description of -X4X options.

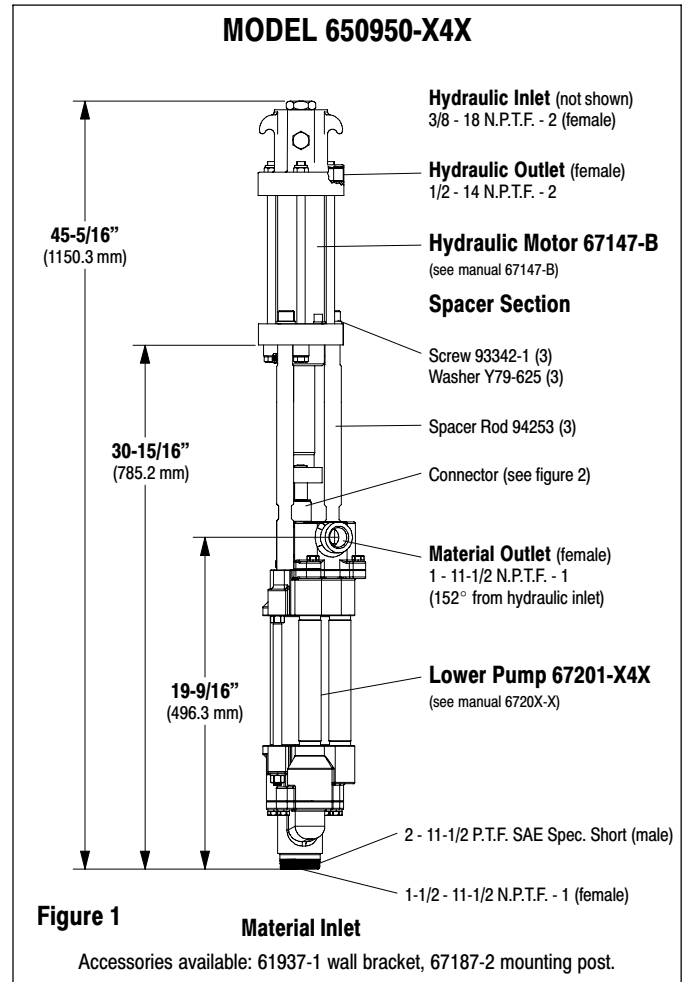
SPECIFICATIONS

Model Series (Refer to option chart)	650950-X4X
Type	Hydraulically Operated, Four Ball
Ratio	0.2:1
Hydraulic Motor	67147-B
Motor Repair Kit	637449
Motor Size	2.062 sq." (13.3 sq. cm)
Stroke	5.75" (14.6 cm)
Hydraulic Inlet (female)	3/8 - 18 N.P.T.F. - 2
Hydraulic Return (female)	1/2 - 14 N.P.T.F. - 2
Lower Pump End Series	67201-X4X
Lower Pump Repair Kit	637318-X4B
Material Inlet (female)	1-1/2 - 11-1/2 N.P.T.F. - 1
(male)	2 - 11-1/2 P.T.F. SAE Spec Short
Material Outlet (female)	1 - 11-1/2 N.P.T.F. - 1
Weight	72 lbs (32.7 kgs)

PERFORMANCE

Hydraulic Inlet Pressure Range	50 - 1200 p.s.i. (3.4 - 82.8 bar)
Fluid Pressure Range	10 - 278 p.s.i. (0.69 - 19.2 bar)
Required H-power @ 50 c.p.m.	3.2 @ 1200 p.s.i. (82.8 bar)
Hydraulic flow required @ 50 c.p.m.	4.9 g.p.m. (18.5 l.p.m.)
Maximum rec'd Cycles / Minute	50
Displacement In³ Per Cycle	103.6
Volume / Cycle	57.4 oz. (1697.2 ml)
Cycles Per Gallon	2.23
Flow @ 50 Cycles / Minute	22.4 g.p.m. (84.9 l.p.m.)
Noise Level	N/A
Maximum Temperature Limit	130° F (54° C)

PUMP DATA



IMPORTANT

This is one of the four documents which support the pump. Replacement copies of these forms are available upon request.

- 650950-X Model Operator's Manual (pn 97999-795)
- S-632 General Information - Industrial Piston Pumps (pn 97999-624)
- 6720X-X Lower Pump End Operator's Manual (pn 97999-788)
- 67147-B Hydraulic Motor Operator's Manual (pn 97999-1219)