

OPERATOR'S MANUAL

650943-X-B

INCLUDING: SPECIFICATIONS, SERVICE KITS, GENERAL INFORMATION, TROUBLESHOOTING.

INCLUDE MANUALS: 66300-X Lower Pump End (pn 97999-646), 67147-B Hydraulic Motor (pn 97999-1219)
 & S-632 General Information Manual (pn 97999-624)

RELEASED: 8-1-97

REVISED: 11-13-06

(REV. E)

2.062 SQ." HYDRAULIC MOTOR
1.7:1 RATIO
6" STROKE

650943-XXX-B
TWO BALL PUMP SERIES
 300 SERIES STAINLESS STEEL



**READ THIS MANUAL CAREFULLY BEFORE INSTALLING,
 OPERATING OR SERVICING THIS EQUIPMENT.**

It is the responsibility of the employer to place this information in the hands of the operator. Keep for future reference.

SERVICE KITS

- Use only genuine ARO® replacement parts to assure compatible pressure rating and longest service life.
- **637449** for repair of hydraulic motor section.
- **637305-X43** for repair of lower pump section. Refer to the chart on page 2 for description of -XXX options.

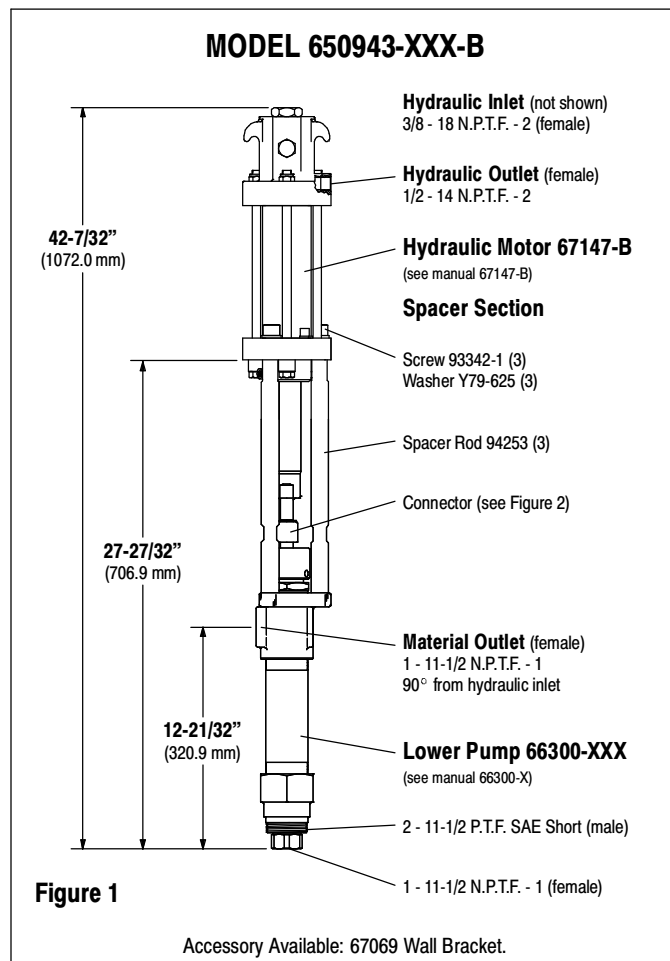
SPECIFICATIONS

Model Series (refer to option chart)	650943-X43-B
Type	Hydraulically Operated, Two Ball
Ratio	1.7:1
Hydraulic Motor	67147-B
Motor Repair Kit	637449
Motor Size	2.062 sq." (13.3 sq. cm)
Stroke	6" (15.2 cm)
Hydraulic Inlet (female)	3/8 - 18 N.P.T.F. - 2
Hydraulic Return (female)	1/2 - 14 N.P.T.F. - 2
Lower Pump End Series	66300-XXX
Lower Pump Repair Kit	637305-X43
Material Inlet (female)	1 - 11-1/2 N.P.T.F. - 1
(male)	2 - 11-1/2 P.T.F. (short)
Material Outlet (female)	1 - 11-1/2 N.P.T.F. - 1
Weight	41.3 lbs (18.7 kgs)

PERFORMANCE

Hydraulic Inlet Pressure Range	50 - 1200 p.s.i. (3.4 - 82.8 bar)
Fluid Pressure Range	85 - 2040 p.s.i. (5.9 - 140.7 bar)
Required H-power @ 50 c.p.m.	3.2 @ 1200 (82.8 bar)
Hydraulic flow required @ 50 c.p.m.	4.9 g.p.m. (18.5 l.p.m.)
Maximum rec'd Cycles / Minute	50
Displacement In³ Per Cycle	14.5
Volume / Cycle	8.0 oz. (237.5 ml)
Cycles Per Gallon	15.9
Flow @ 50 Cycles / Minute	3.1 g.p.m. (11.9 l.p.m.)
Noise Level	N/A
Maximum Temperature Limit	130° F (54° C)

PUMP DATA



IMPORTANT

This is one of the four documents which support the pump. Replacement copies of these forms are available upon request.

- 650943-X-B Model Operator's Manual (pn 97999-739)
- S-632 General Information - Industrial Piston Pumps (pn 97999-624)
- 66300-X Lower Pump End Operator's Manual (pn 97999-646)
- 67147-B Hydraulic Motor Operator's Manual (pn 97999-1219)