

OPERATOR'S MANUAL

650941-X-C

INCLUDING: SPECIFICATIONS, SERVICE KITS, GENERAL INFORMATION, TROUBLESHOOTING.

INCLUDE MANUALS: 66236-X-B Lower Pump End (pn 97999-489), 67314-B Hydraulic Motor (pn 97999-1220) & S-632 General Information Manual (pn 97999-624)

RELEASED: 1-14-00

REVISED: 11-13-06
(REV. D)

4.125 SQ." HYDRAULIC MOTOR
1.2:1 RATIO
6" STROKE

650941-XXE-C

CHOP-CHECK PUMP SERIES

CARBON STEEL



READ THIS MANUAL CAREFULLY BEFORE INSTALLING, OPERATING OR SERVICING THIS EQUIPMENT.

It is the responsibility of the employer to place this information in the hands of the operator. Keep for future reference.

SERVICE KITS

- Use only genuine ARO® replacement parts to assure compatible pressure rating and longest service life.
- **637450** for repair of hydraulic motor section.
- **637128-XX4-B** for repair of lower pump section. Refer to the chart on page 2 for description of -XXE options.

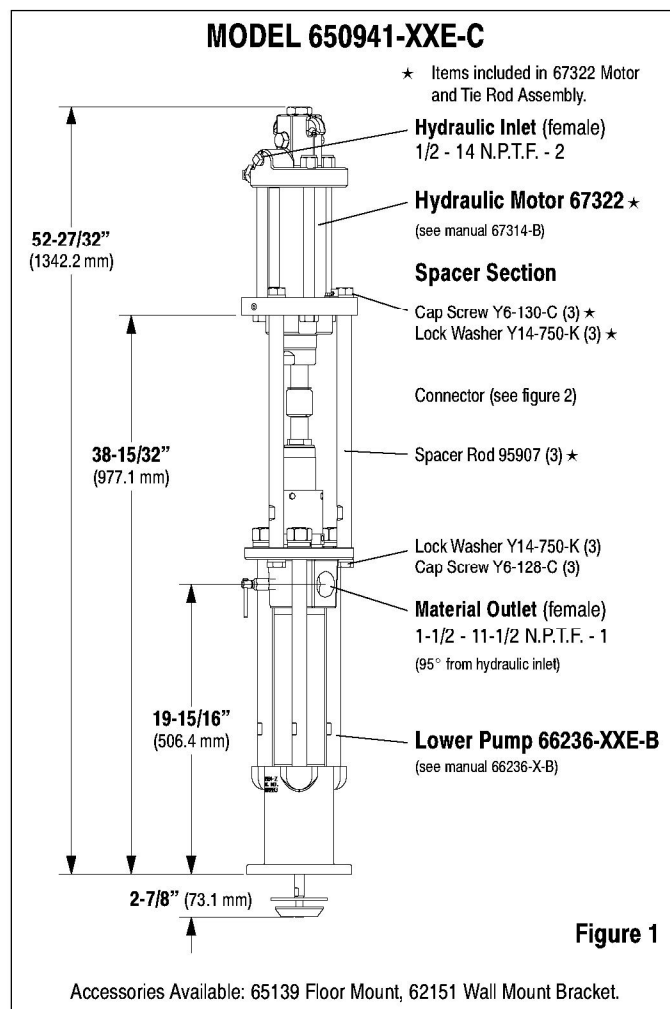
SPECIFICATIONS

Model Series (refer to option chart)	650941-XXE-C
Type	Hydraulic Operated, Chop-Check Double Acting Pump
Ratio	1.2:1
Air Motor	67314-B
Motor Repair Kit	637450
Motor Size	4.125 sq." (26.6 sq. cm)
Stroke	6" (15.2 cm)
Hydraulic Inlet (female)	1/2 - 14 N.P.T.F. - 2
Hydraulic Return (female)	3/4 - 14 N.P.S.M.
Lower Pump End Series	66236-XXE-B
Lower Pump Repair Kit	637128-XX4-B
Material Outlet (female)	1-1/2 - 11-1/2 N.P.T.F. - 1
Weight	144 lbs (65.3 kgs)

PERFORMANCE

Hydraulic Inlet Pressure Range	50 - 2000 p.s.i. (3.4 - 137.9 bar)
Fluid Pressure Range	60 - 2670 p.s.i. (4.1 - 184.1 bar)
Maximum Rec'd Cycles / Minute	50
Displacement In³ Per Cycle	40.2
Volume / Cycle	22.3 oz. (658.4 ml)
Cycles Per Gallon	5.7
Flow @ 50 Cycles / Minute	8.7 g.p.m. (32.9 l.p.m.)

PUMP DATA



IMPORTANT

This is one of the four documents which support the pump. Replacement copies of these forms are available upon request.

- 650941-X-C Model Operator's Manual (pn 97999-877)
- S-632 General Information - Industrial Piston Pumps (pn 97999-624)
- 66236-X-B Lower Pump End Operator's Manual (pn 97999-489)
- 67314-B Hydraulic Motor Operator's Manual (pn 97999-1220)